

0040 - CLOUD CHANGING STATION
(CS0760)

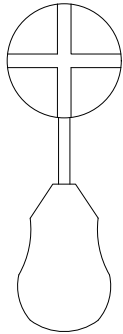


COMPLIES WITH BS EN 12221-1 2008 + A1:2013

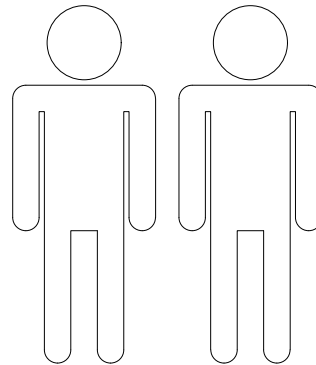
Assembly Instructions

Please read these instructions carefully before assembling the unit and where necessary refer to the enclosed component list.

Additional Tools Required



Adults Required For Assembly



Maintenance

Some residual dust from the manufacturing process may be apparent. This will wipe off with a damp cloth.

Examine all fasteners periodically and retighten where necessary.

Care must be taken not to overtighten the fasteners.

Warning

DO NOT LEAVE CHILD UNATTENDED

Be aware of the risk of open fires and other sources of strong heat, such as electric bar fires, gas fires, etc. in the near vicinity of the changing unit.

Do not use the changing unit when any part is broken torn or missing.

Any additional or replacement parts shall only be obtained from the manufacturer or distributor.

Maximum size mattress 80cm x 51cm x 4cm

Intended for use for children from birth to 12 months or 11kg

An Adult Should **ALWAYS SUPERVISE PLAY!**

This unit is designed for use on a flat level surface.

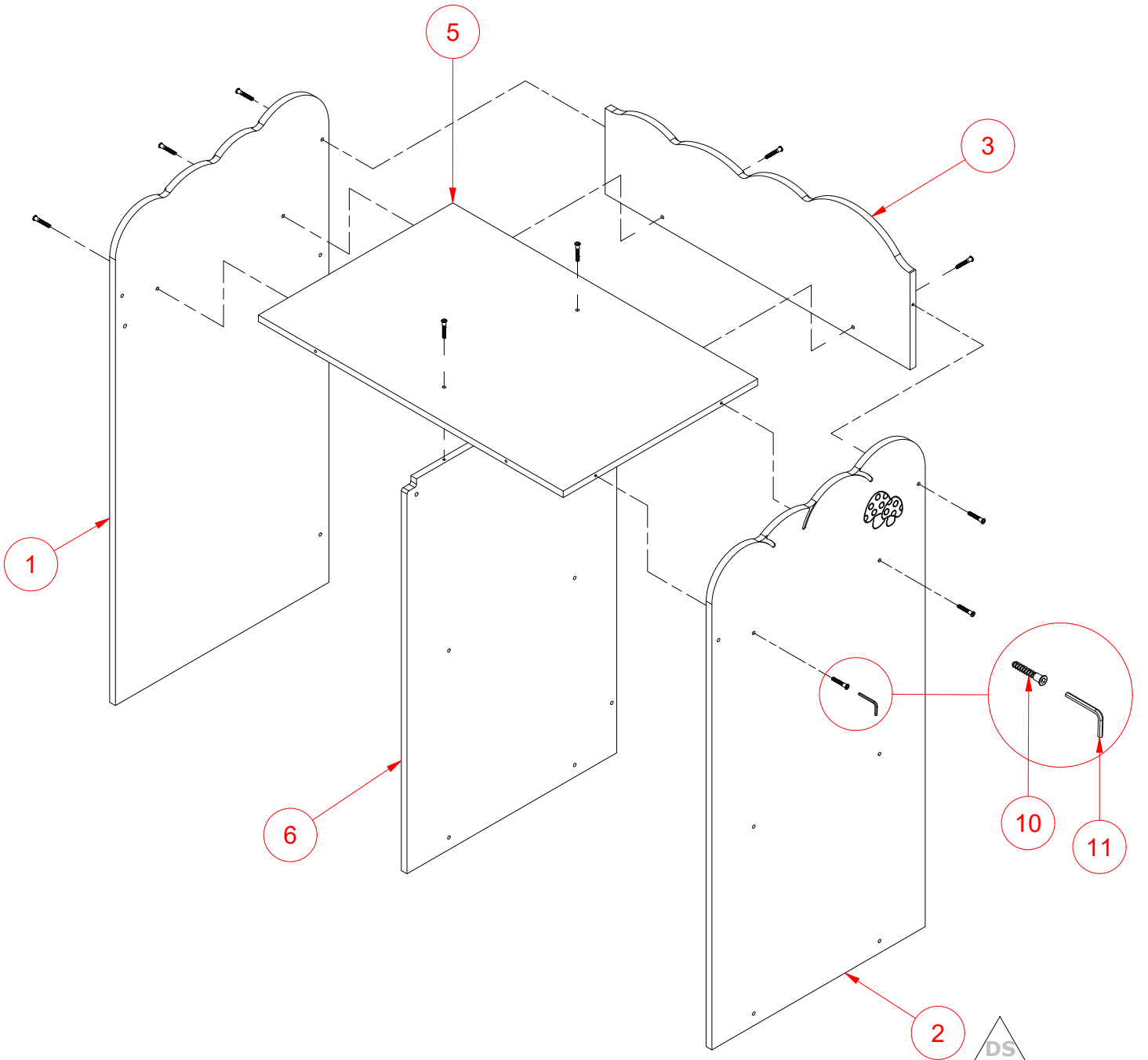
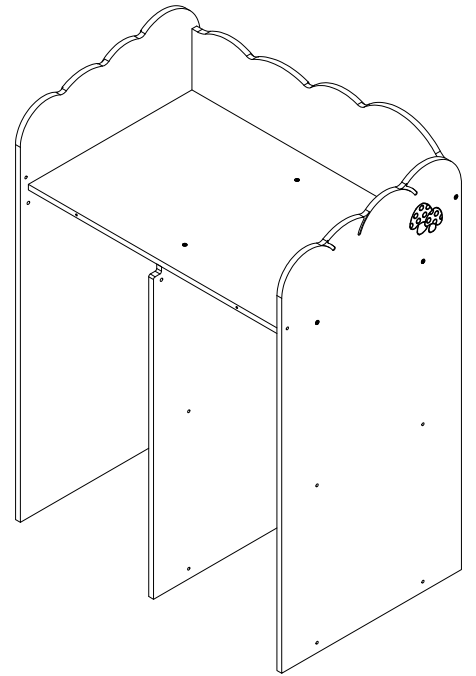
Please retain our address for future reference

Manufactured by:
Mike Miller Associates Ltd,
Syke Road, Wigton, Cumbria CA7 9NS
Tel: 016973 49774 / 45300
Fax: 016973 45511
Email: info@twoey.co.uk
Website: www.twoeytoys.com
Registered in England No: 1425839
Registered Office: The Old Brewery, Caldbeck,
Cumbria CA7 8EW

ITEM	PACK NUMBER	PART NUMBER	QTY
1	1 OF 2	0040101A	1
2	1 OF 2	0040101B	1
3	1 OF 2	0040301A	1
4	1 OF 2	0040301B	1
5	1 OF 2	0040401	1
6	1 OF 2	0040501	1
7	1 OF 2	0040601	2
8	1 OF 2	0040701A	1

ITEM	PACK NUMBER	PART NUMBER	QTY
9	1 OF 2	P-AOMAT01	1
10	1 OF 2	FS6338SW4	*26
11	1 OF 2	AMSW4	1

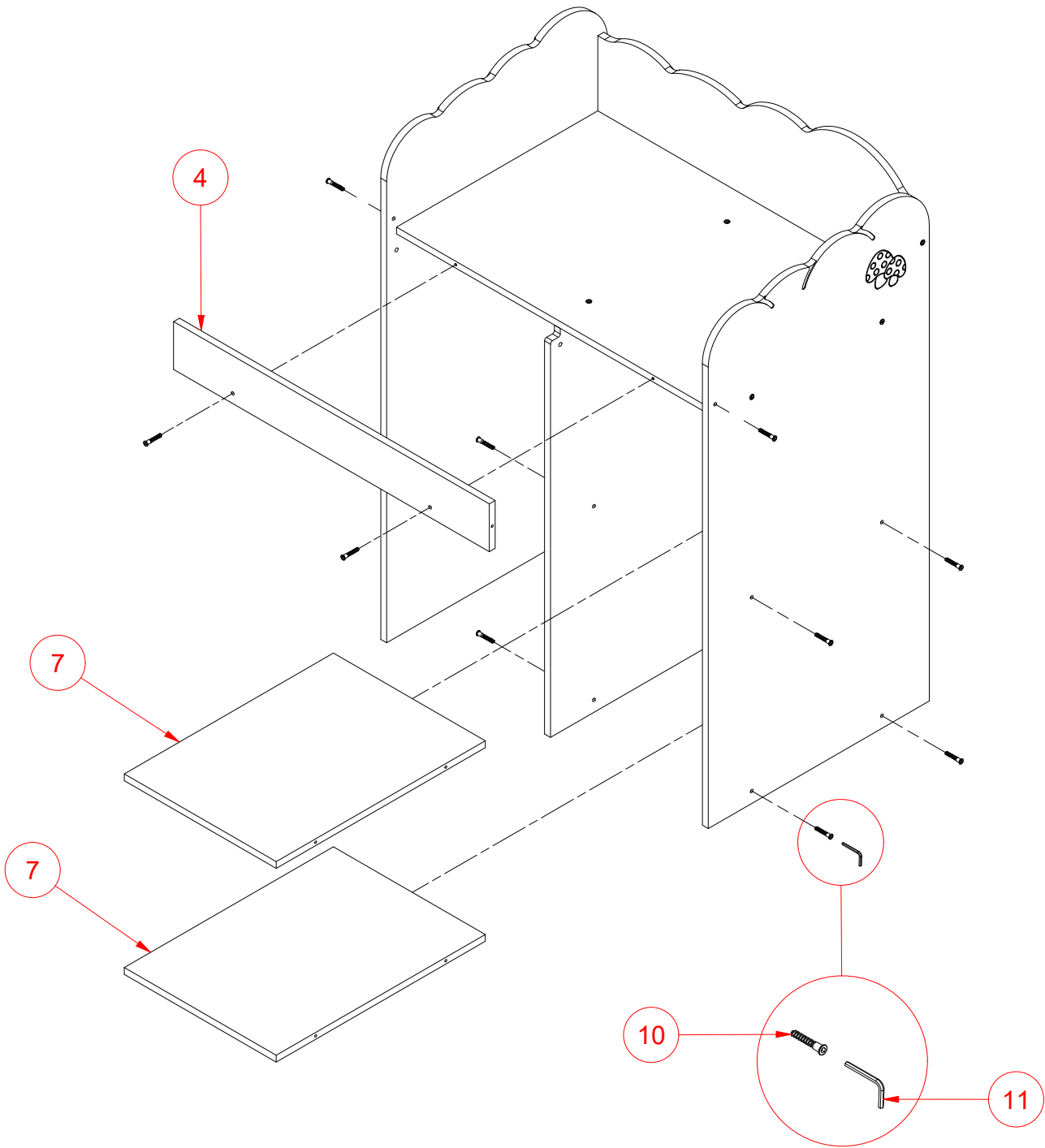
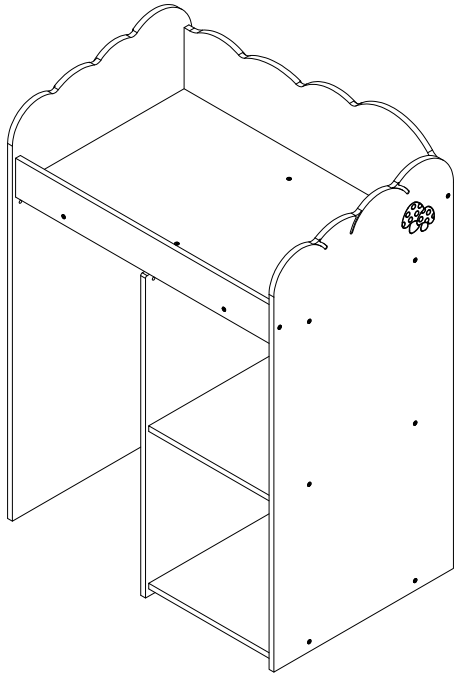
* x2 ADDITIONAL FIXINGS SUPPLIED



ITEM	PACK NUMBER	PART NUMBER	QTY
1	1 OF 2	0040101A	1
2	1 OF 2	0040101B	1
3	1 OF 2	0040301A	1
4	1 OF 2	0040301B	1
5	1 OF 2	0040401	1
6	1 OF 2	0040501	1
7	1 OF 2	0040601	2
8	1 OF 2	0040701A	1

ITEM	PACK NUMBER	PART NUMBER	QTY
9	1 OF 2	P-AOMAT01	1
10	1 OF 2	FS6338SW4	*26
11	1 OF 2	AMSW4	1

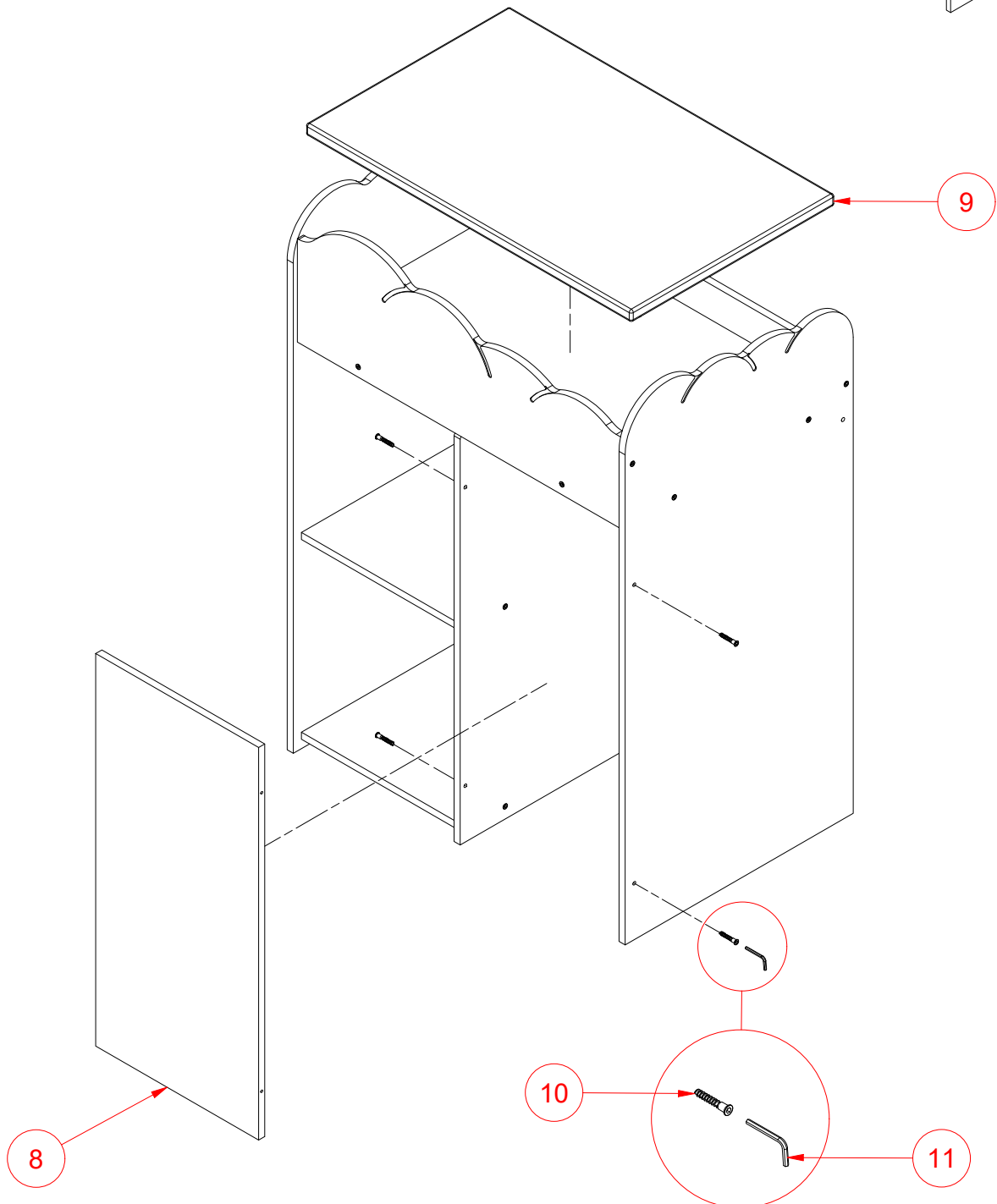
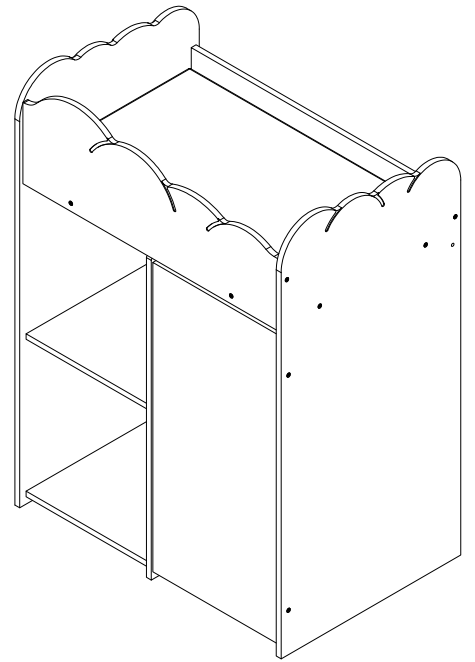
* x2 ADDITIONAL FIXINGS SUPPLIED



ITEM	PACK NUMBER	PART NUMBER	QTY
1	1 OF 2	0040101A	1
2	1 OF 2	0040101B	1
3	1 OF 2	0040301A	1
4	1 OF 2	0040301B	1
5	1 OF 2	0040401	1
6	1 OF 2	0040501	1
7	1 OF 2	0040601	2
8	1 OF 2	0040701A	1

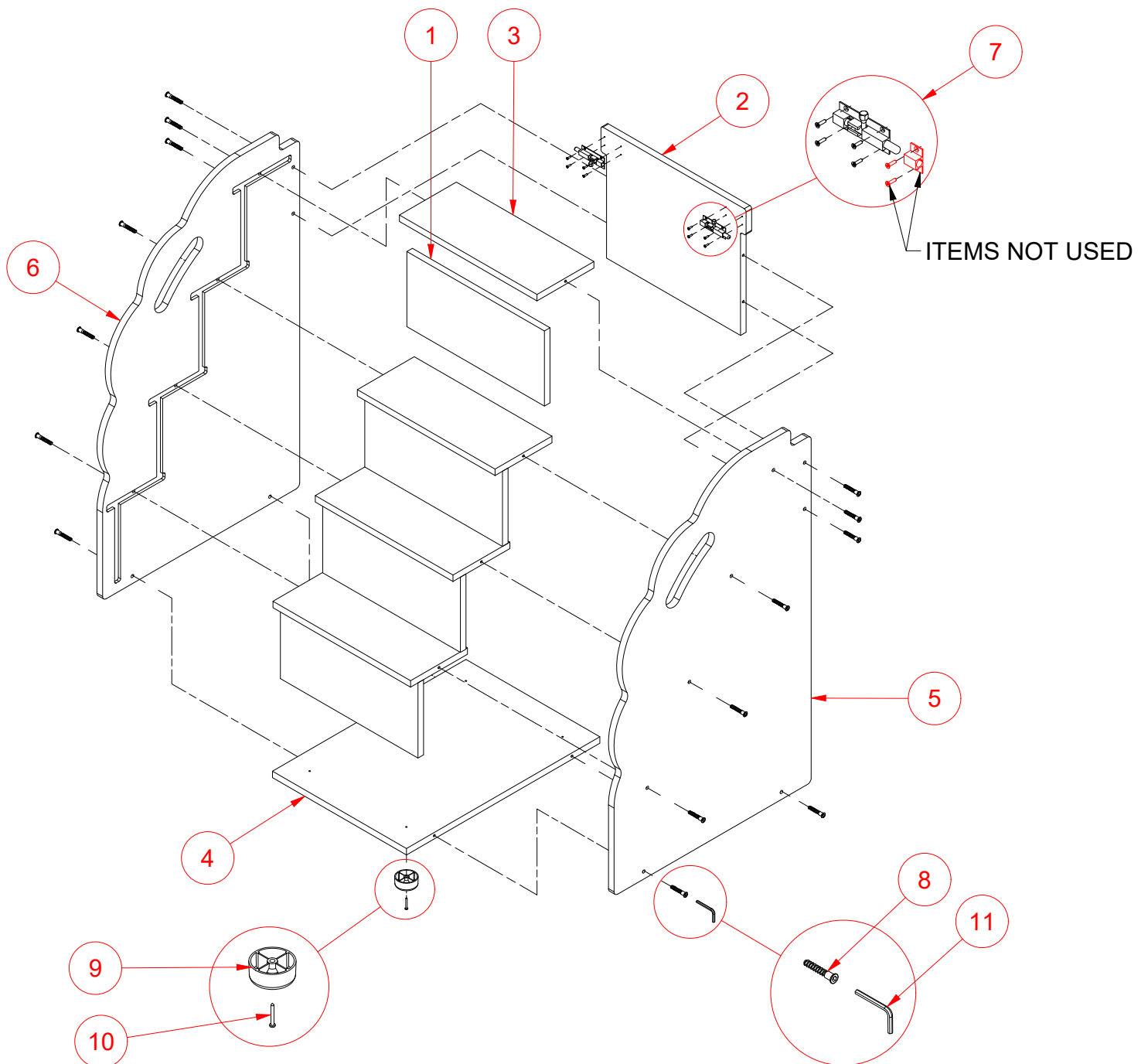
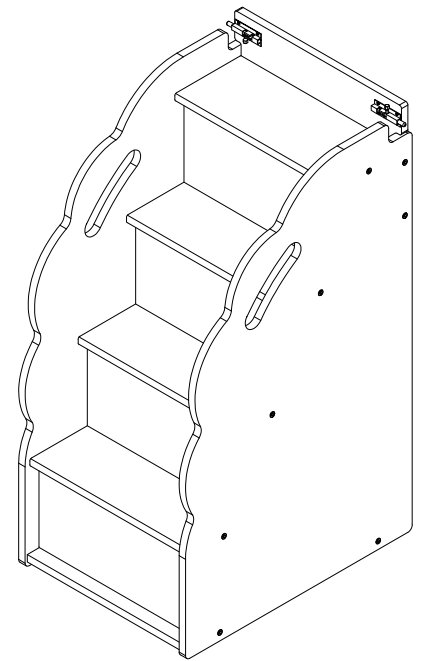
ITEM	PACK NUMBER	PART NUMBER	QTY
9	1 OF 2	P-AOMAT01	1
10	1 OF 2	FS6338SW4	*26
11	1 OF 2	AMSW4	1

* x2 ADDITIONAL FIXINGS SUPPLIED

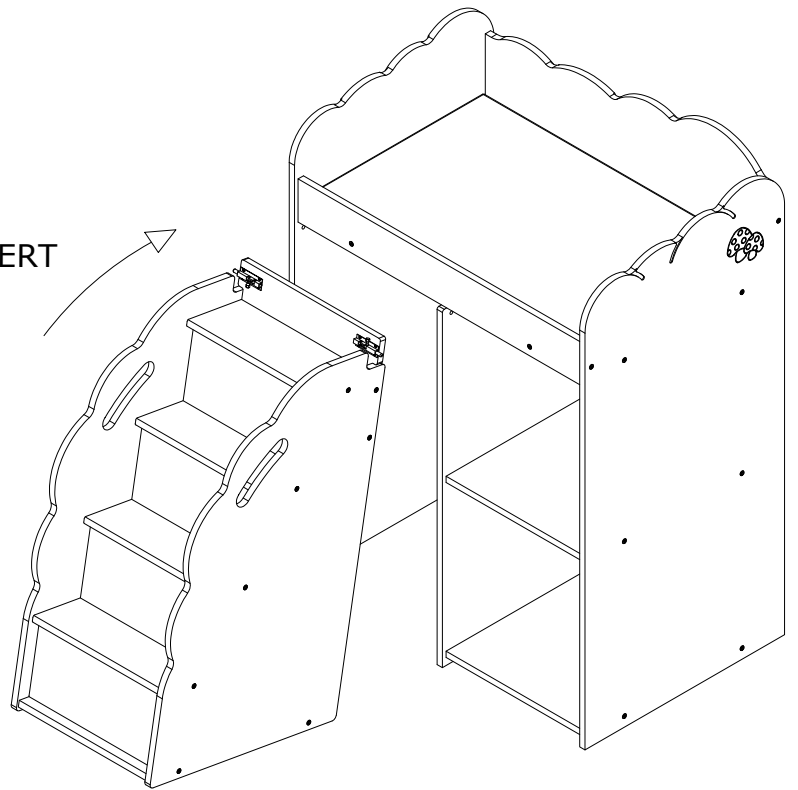


ITEM	PACK NUMBER	PART NUMBER	QTY
1	2 OF 2	0040201	4
2	2 OF 2	0040701B	1
3	2 OF 2	0040801A	4
4	2 OF 2	0040801B	1
5	2 OF 2	0040901A	1
6	2 OF 2	0040901B	1

ITEM	PACK NUMBER	PART NUMBER	QTY
7	2 OF 2	ALBOLT04	2
8	2 OF 2	FS6338SW4	16
9	2 OF 2	APGLD4520	4
10	2 OF 2	FS42/5P	4
11	2 OF 2	AMSW4	1



TILT TO INSERT



BOTH BARREL BOLTS TO BE IN THE LOCKED POSITION WHEN STAIRS ARE IN USE

