

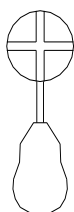
**0820**  
**Mobile Big Book Box**



**Assembly Instructions.**

Please read these instructions carefully before assembling the unit and where necessary refer to the enclosed Component List.

**Additional Tools Required.**



**Adults Required For Assembly.**



**Maintenance.**

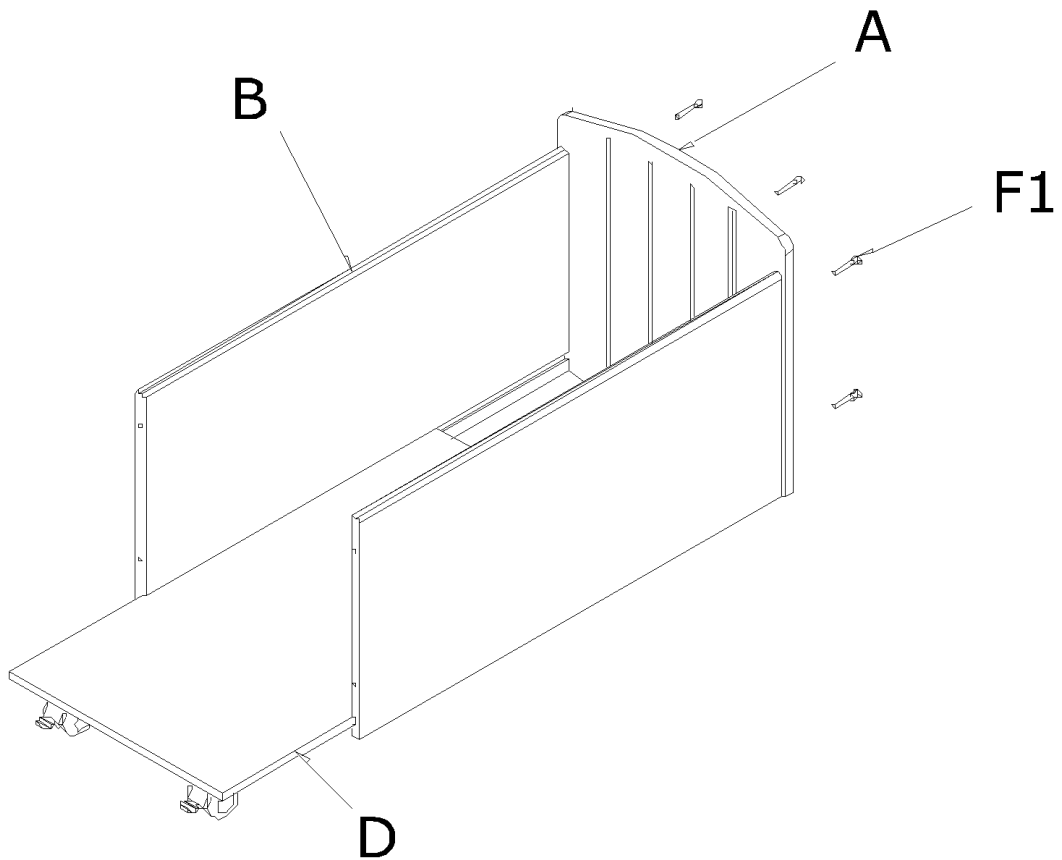
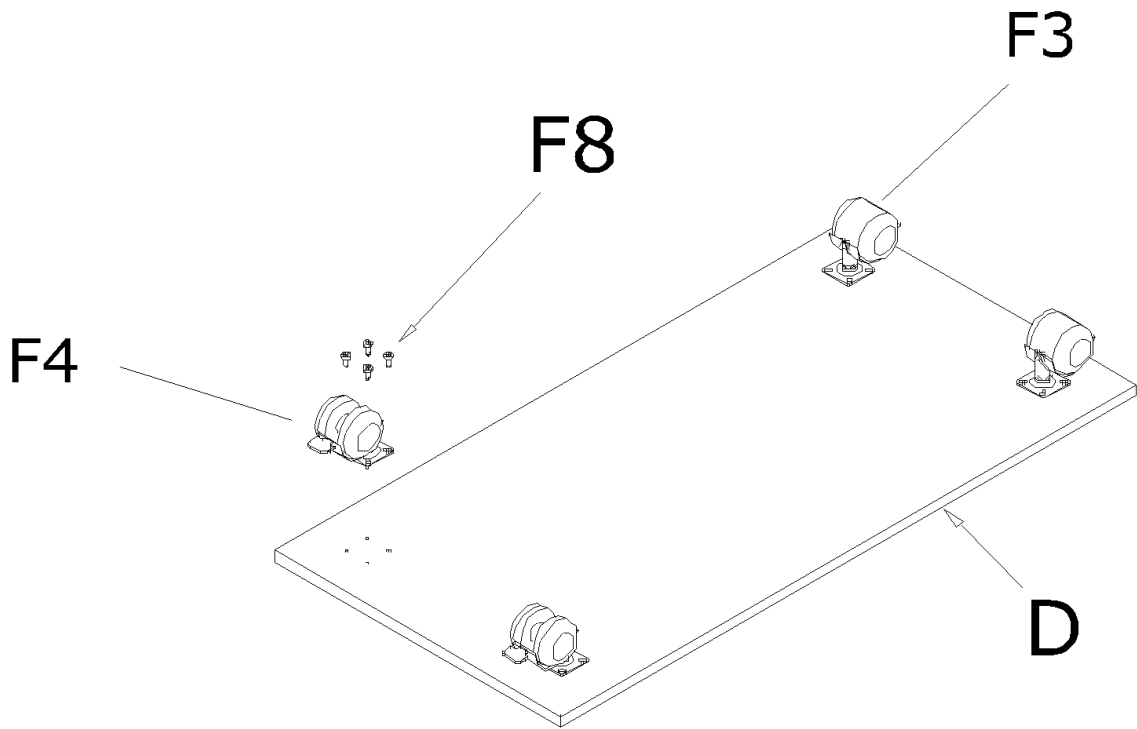
Some residual dust from the manufacturing process may be apparent. Your unit may be cleaned with a damp cloth. Stubborn marks may be removed with a mild detergent or non-abrasive cream cleaner. Examine all fasteners periodically and retighten where necessary. Care must be taken not to over tighten the fasteners.

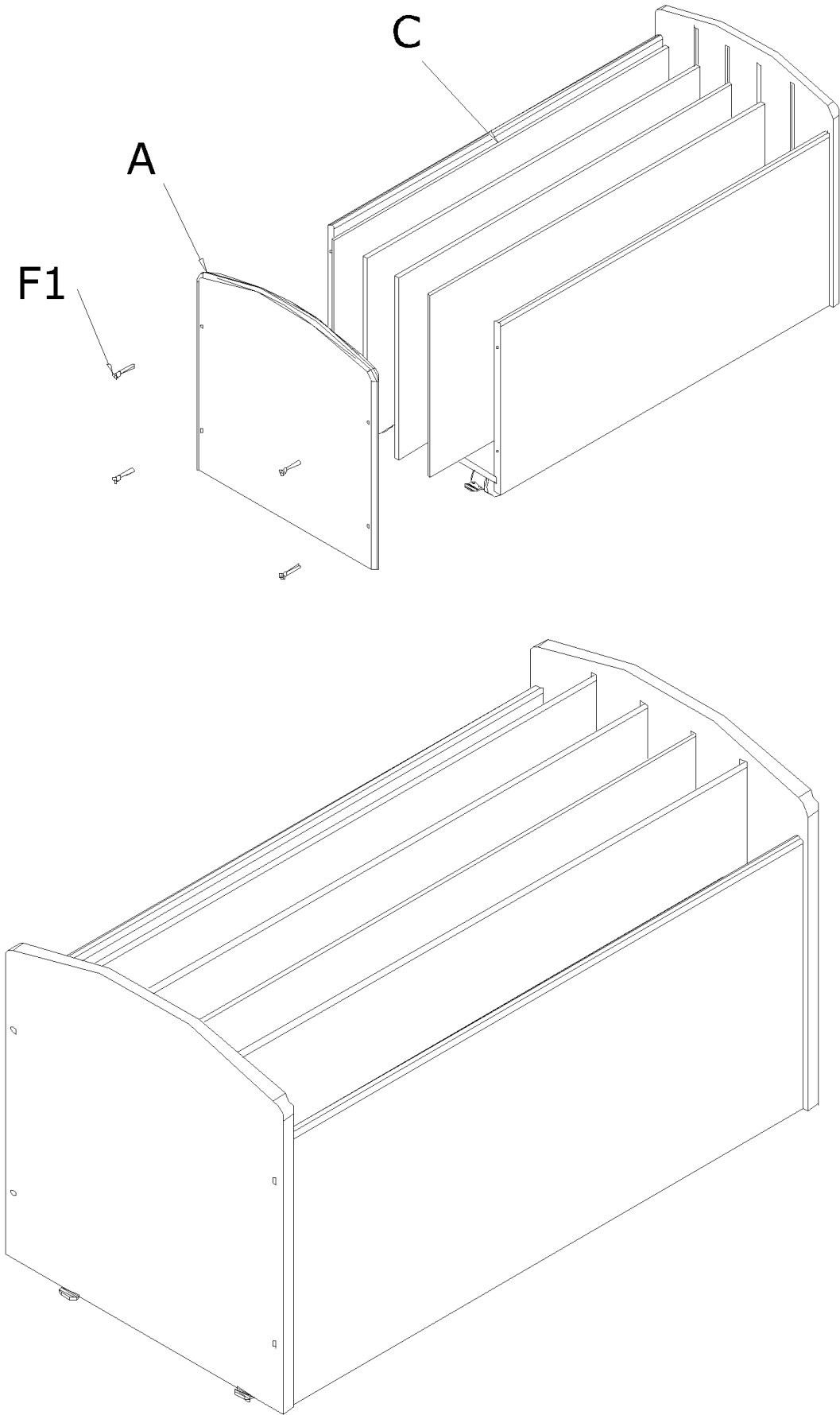
This unit is designed for use indoors on a flat level surface.

An Adult Should **ALWAYS SUPERVISE PLAY!**

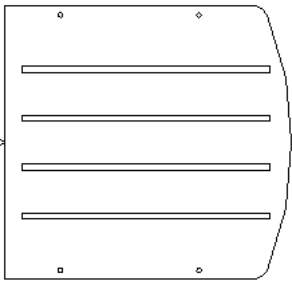
Please retain our address for future reference

Manufactured by:  
Mike Miller Associates Ltd.,  
Syke Road, Wigton. Cumbria CA7 9NS  
Tel: 016973 49774/45300 Fax: 016973 45511  
Email: [info@twoey.co.uk](mailto:info@twoey.co.uk)  
Website: [www.twoeytoys.com](http://www.twoeytoys.com)  
Registered in England No: 1425839  
Registered Office: The Old Brewery, Caldbeck.  
Cumbria CA7 8EW

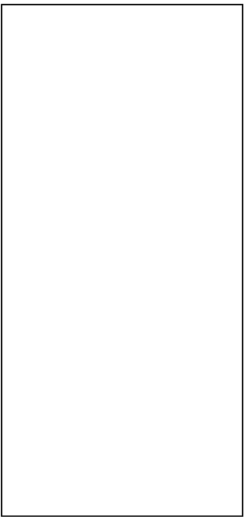




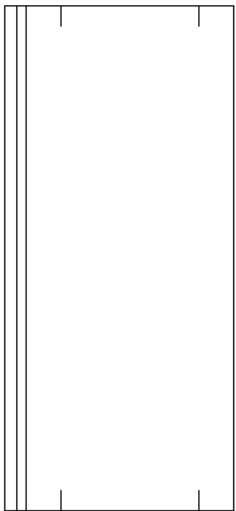
# 0820 - MOBILE BIG BOOK BOX COMPONENTS LIST (CS0742)



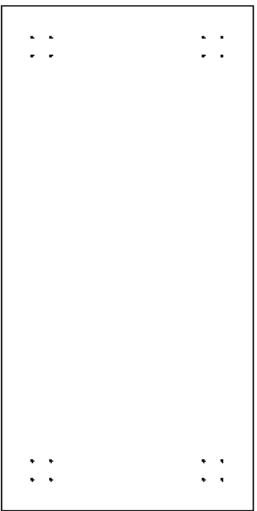
**A**  
PN: 0820103  
QTY 2



**C**  
PN: 0820302  
QTY 4

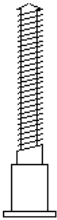


**B**  
PN: 0820203  
QTY 2

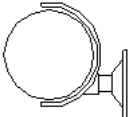


**D**  
PN: 0820402  
QTY 1


**KIT (SOME EXTRAS INCLUDED)**



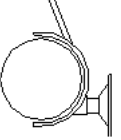
**F1**  
SUPERJOINER  
PN: FS6338SW4  
QTY 8



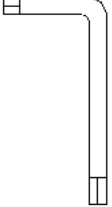
**F3**  
CASTOR  
C/W PLATE  
PN: ACGR50P  
QTY 2



**F8**  
SCREW PAN.HD.  
PN: FS101/2P  
QTY 18



**F4**  
CASTOR LOCKING  
C/W PLATE  
PN: ACGR50PB  
QTY 2



**ALLEN KEY**  
PN: AMSW4  
QTY 1