

2000

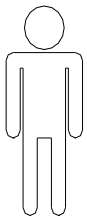
SINGLE OUTDOOR STORE



Assembly Instructions.

Please read these instructions carefully before assembling the unit and where necessary refer to the enclosed Component List.

Adults Required For Assembly.



Maintenance.

Some residual dust from the manufacturing process may be apparent. This will wipe off with a damp cloth.
Make sure any drain holes are kept clear.
Examine all fasteners periodically and retighten where necessary.
Care must be taken not to over tighten the fasteners.

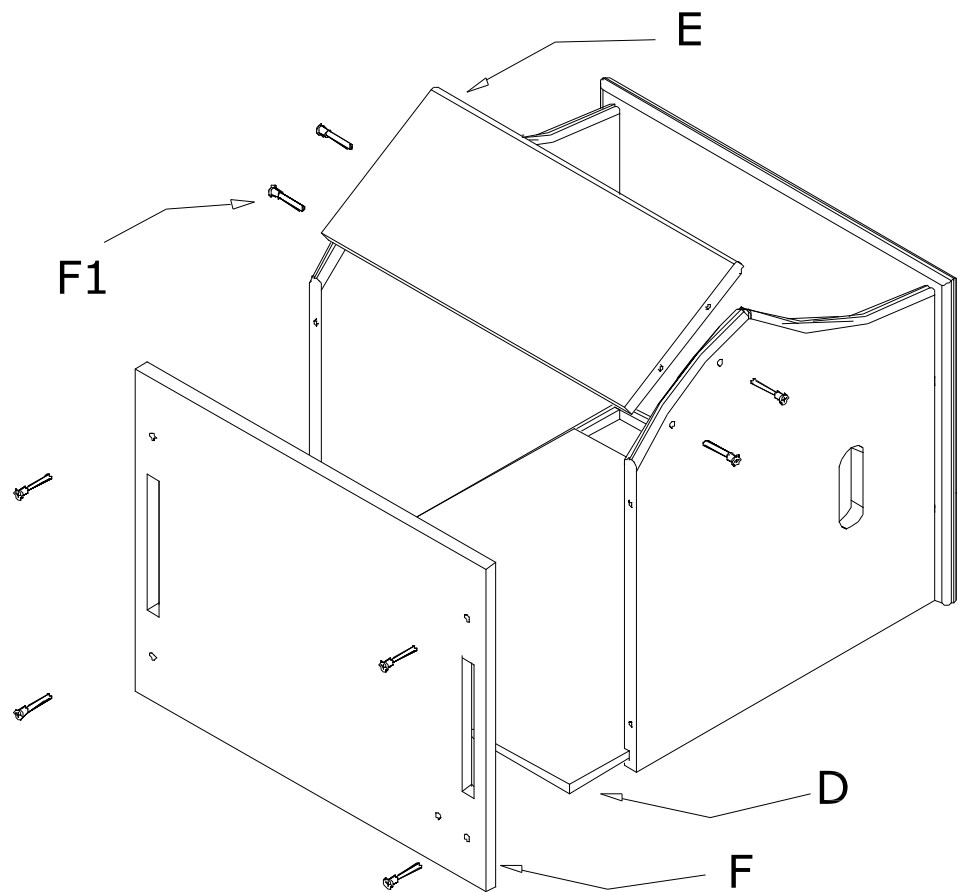
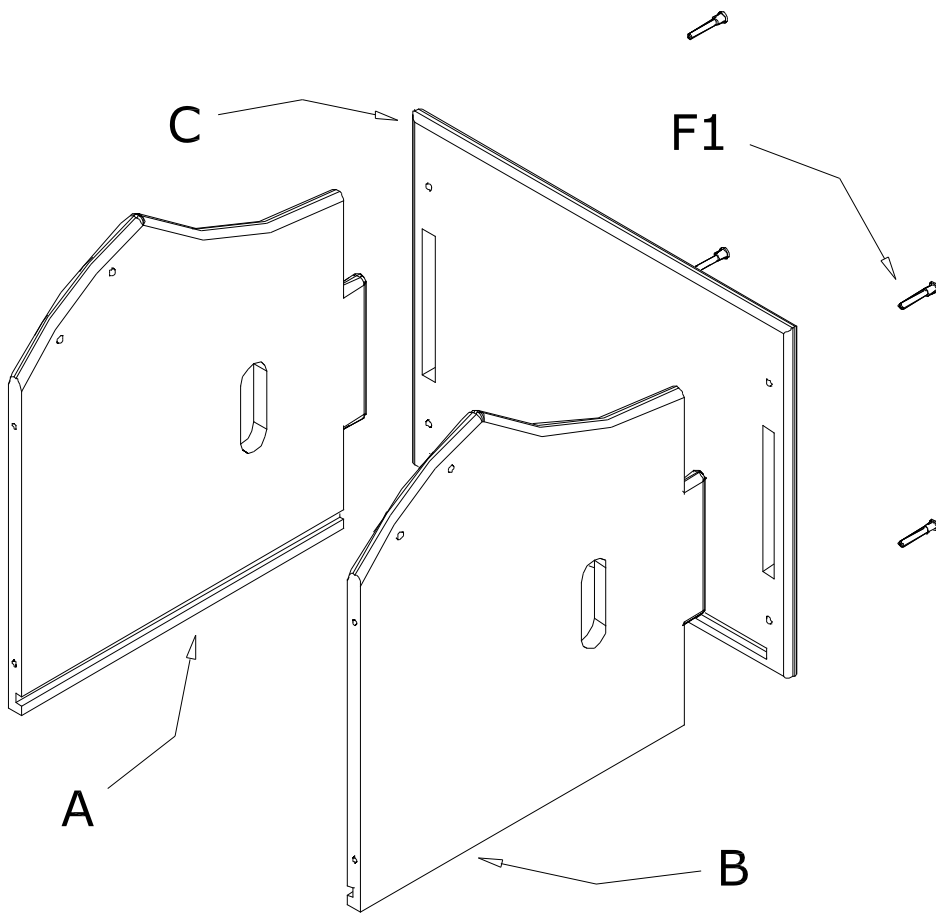
Weathering Effects.

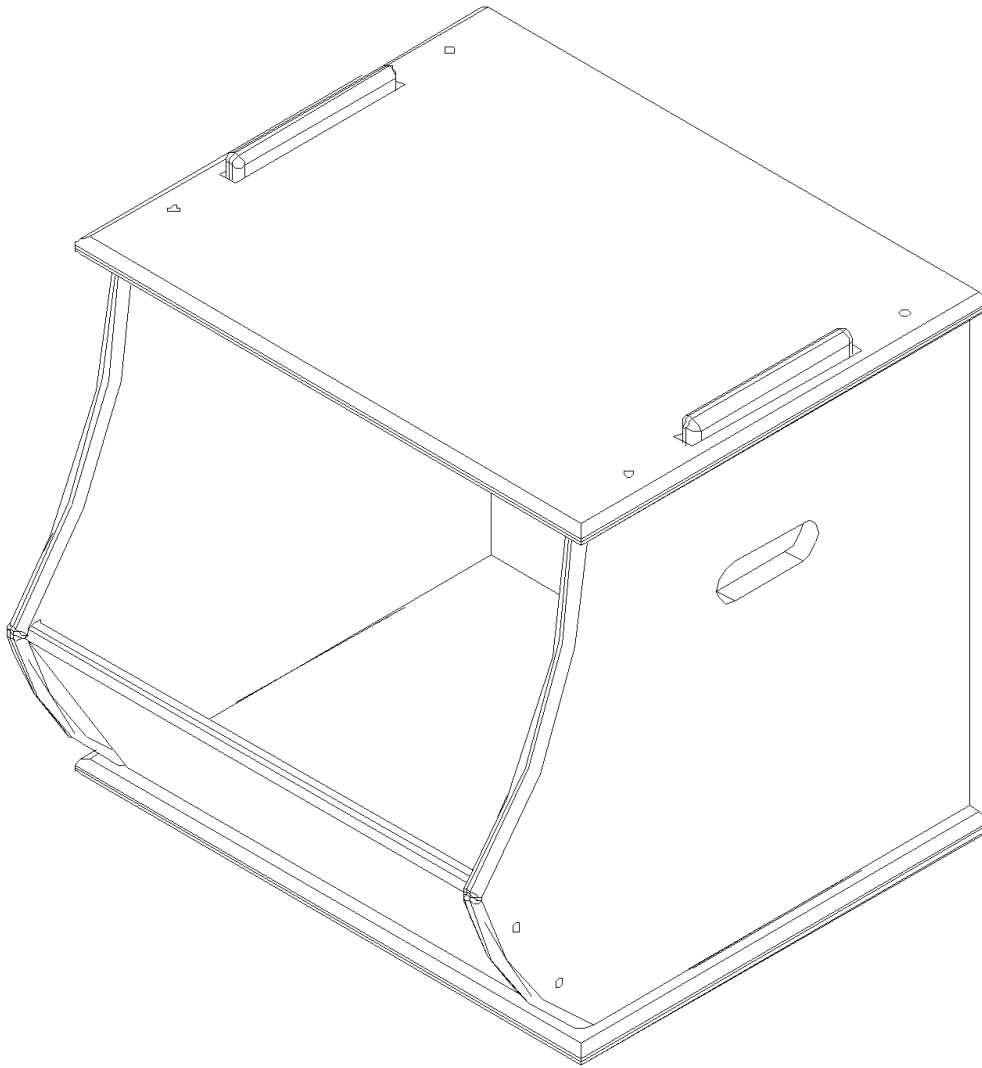
Like all natural timbers when subjected to the elements, under certain conditions, some surfaces may be susceptible to staining, moulds & mosses. Though unsightly these conditions will not cause rot within the material. Should staining occur it is suggested that the surface be cleaned with a mild detergent.
Fading may occur if left in direct sunlight for prolonged periods of time.

THIS PRODUCT WILL NOT PROTECT ANY ITEMS STORED WITHIN FROM THE WEATHER.

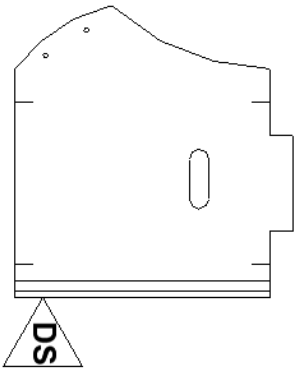
An Adult Should **ALWAYS SUPERVISE PLAY!**
This unit is designed for use on a flat level surface.
Please retain our address for future reference

Manufactured by:
Mike Miller Associates Ltd.,
Syke Road, Wigton. Cumbria CA7 9NS
Tel: 016973 49774/45300 Fax: 016973 45511
Email: info@twoey.co.uk
Website: www.twoeytoys.com
Registered in England No: 1425839
Registered Office: The Old Brewery, Caldbeck.
Cumbria CA7 8EW

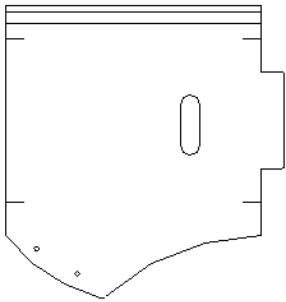




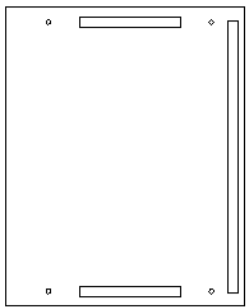
2000 - SINGLE OUTDOOR STORE (CS0711) COMPONENTS LIST



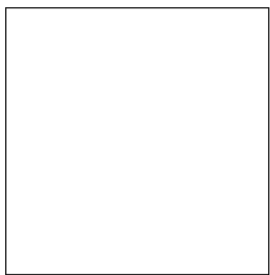
A
PN.2000102
QTY 1



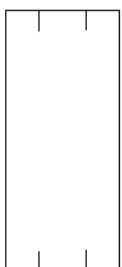
B
PN.2000202
QTY 1



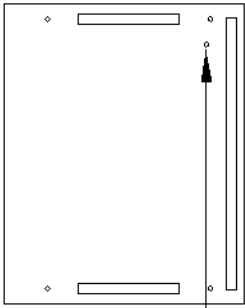
C
PN.2000302
QTY 1



D
PN.2000402
QTY 1

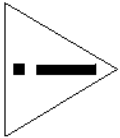


E
PN.2000502
QTY 1



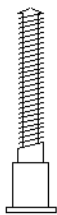
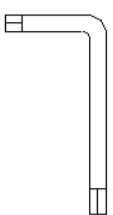
F
PN.2000602
QTY 1

**NOTE:
THIS PART
HAS DRAIN
HOLES**



ASSEMBLY
INSTRUCTIONS

KIT
(SOME EXTRAS INCLUDED)

F1
SUPERJOINER
PN: FS6338SW4
QTY 14

ALLEN KEY
PN: AMSW4
QTY 1

PACK 1 OF 1