

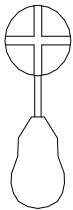
**2240  
OUTDOOR DOLLS  
HOUSE**



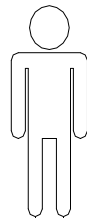
**Assembly Instructions.**

Please read these instructions carefully before assembling the unit and where necessary refer to the enclosed Component List.

**Additional Tools Required.**



**Adults Required For Assembly.**



**Maintenance.**

Some residual dust from the manufacturing process may be apparent. This will wipe off with a damp cloth. Examine all fasteners periodically and retighten where necessary. Care must be taken not to over tighten the fasteners.

**Weathering Effects.**

Like all natural timbers when subjected to the elements, under certain conditions, some surfaces may be susceptible to staining, moulds & mosses. Though unsightly these conditions will not cause degradation within the material.

Fading may occur if left in direct sunlight for prolonged periods of time.

**THIS PRODUCT WILL NOT PROTECT ANY ITEMS STORED WITHIN FROM THE WEATHER.**

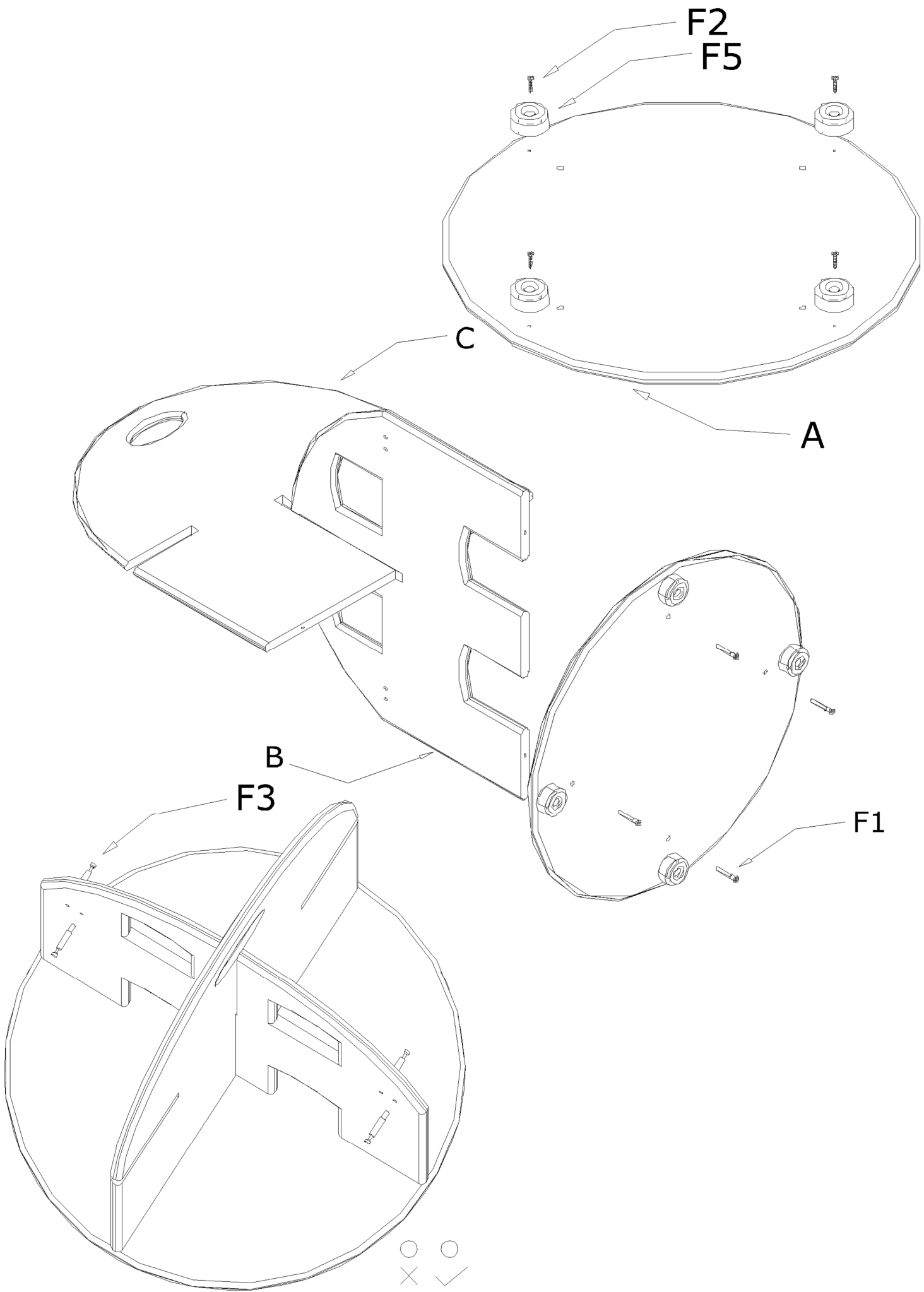
An Adult Should **ALWAYS SUPERVISE PLAY!**

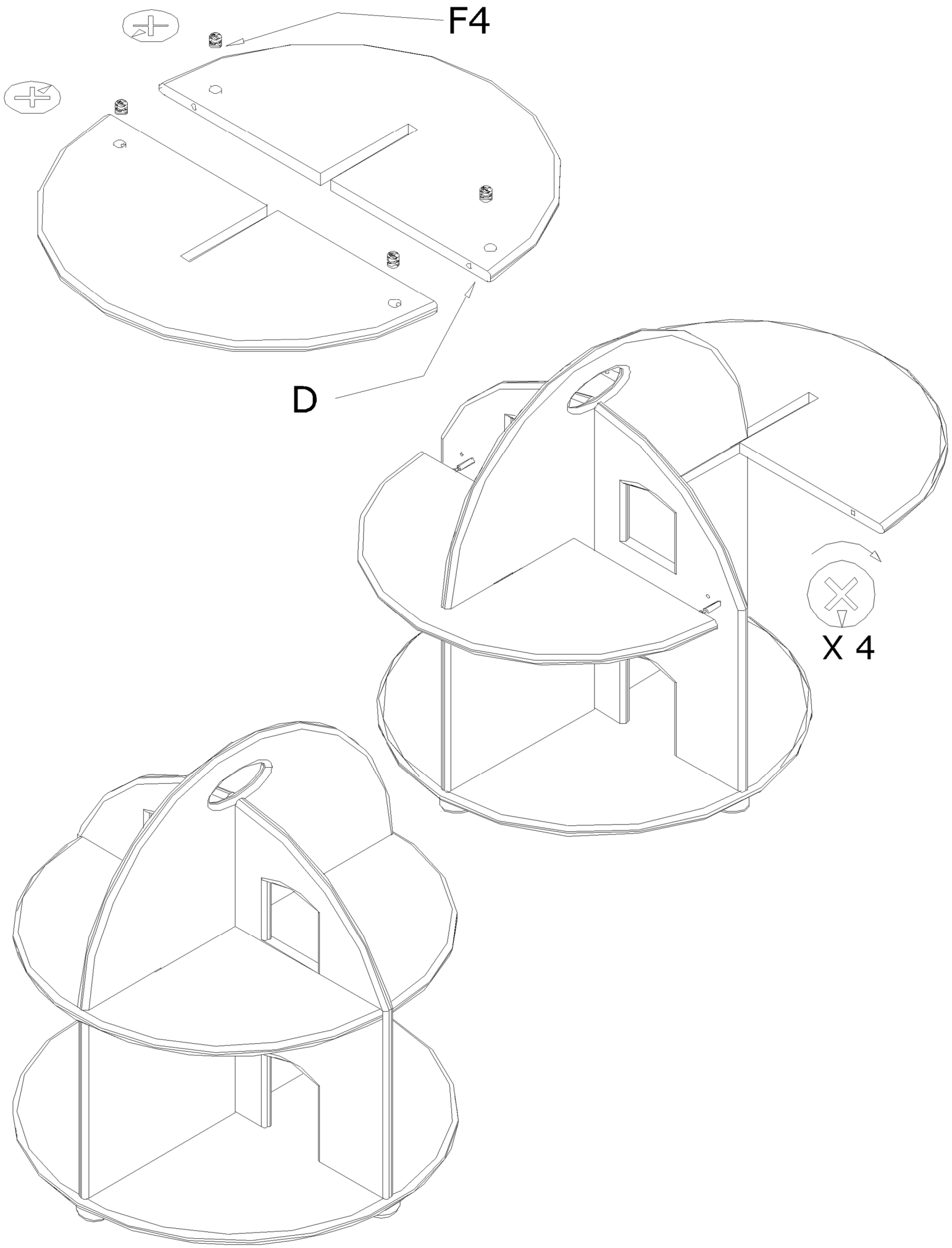
This unit is designed for use on a flat level surface.

Please retain our address for future reference

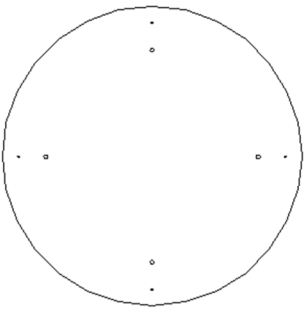


Manufactured by:  
Mike Miller Associates Ltd.,  
Syke Road, Wigton. Cumbria CA7 9NS  
Tel: 016973 49774/45300 Fax: 016973 45511  
Email: [info@twoey.co.uk](mailto:info@twoey.co.uk)  
Website: [www.twoeytoys.com](http://www.twoeytoys.com)  
Registered in England No: 1425839  
Registered Office: The Old Brewery, Caldbeck.  
Cumbria CA7 8EW

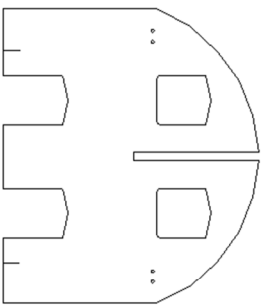




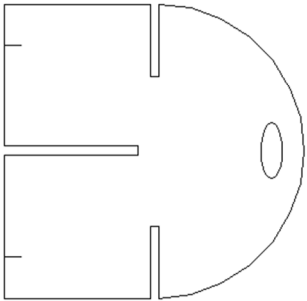
# 2240 - OUTDOOR DOLLS HOUSE (CS0784) COMPONENTS LIST



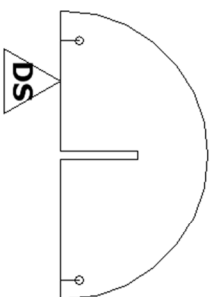
**A**  
PN: 2240103  
QTY 1



**B**  
PN: 2240202  
QTY 1



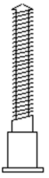
**C**  
PN: 2240302  
QTY 1



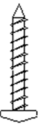
**D**  
PN: 2240402  
QTY 2

**Assembly  
Instructions**

## KIT LIST



**F1**  
SUPERJOINER  
PN: FS6338SW4  
QTY 4



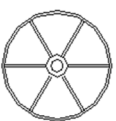
**F2**  
SCREW PAN.HD.  
No.6 x 1"  
PN:FS61P  
QTY 4



**F3**  
MINIFIX BOLT  
PN: FC3410MINI15  
QTY 4



**F4**  
MINIFIX HOUSING  
PN: FC15C  
QTY 4



**F5**  
CIRCULAR GLIDE 4520  
PN: APGLD4520  
QTY 4



**ALLEN KEY**  
PN: AMSW4  
QTY 1