

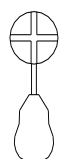
**2740  
OUTDOOR PERSPEX  
PANEL**



**Assembly Instructions.**

Please read these instructions carefully before assembling the unit and where necessary refer to the enclosed Component List.

**Additional Tools Required.**



**Adults Required For Assembly.**



**Maintenance.**

Some residual dust from the manufacturing process may be apparent. This will wipe off with a damp cloth. Make sure any drain holes are kept clear. Examine all fasteners periodically and retighten where necessary. Care must be taken not to over tighten the fasteners.

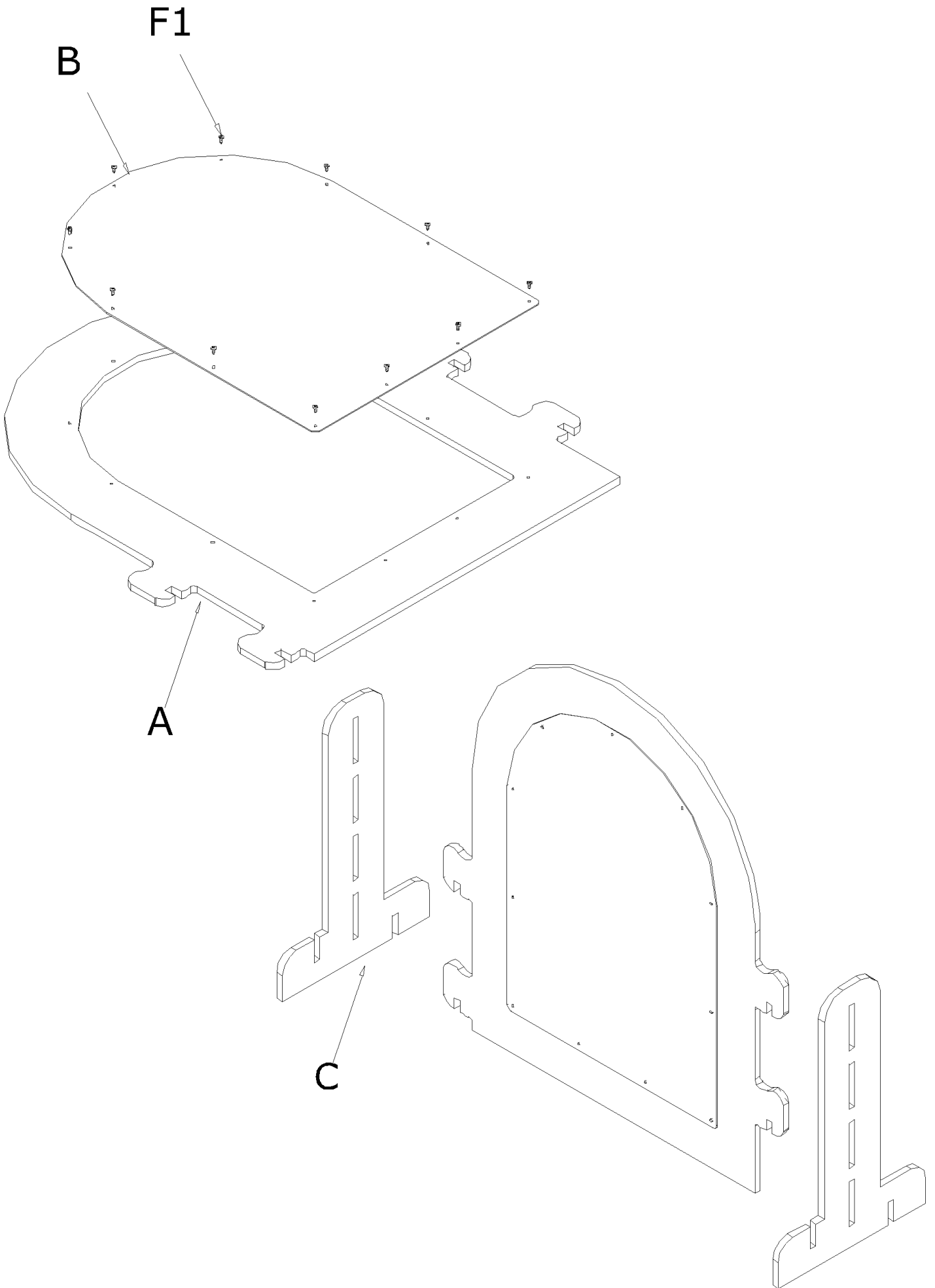
**Weathering Effects.**

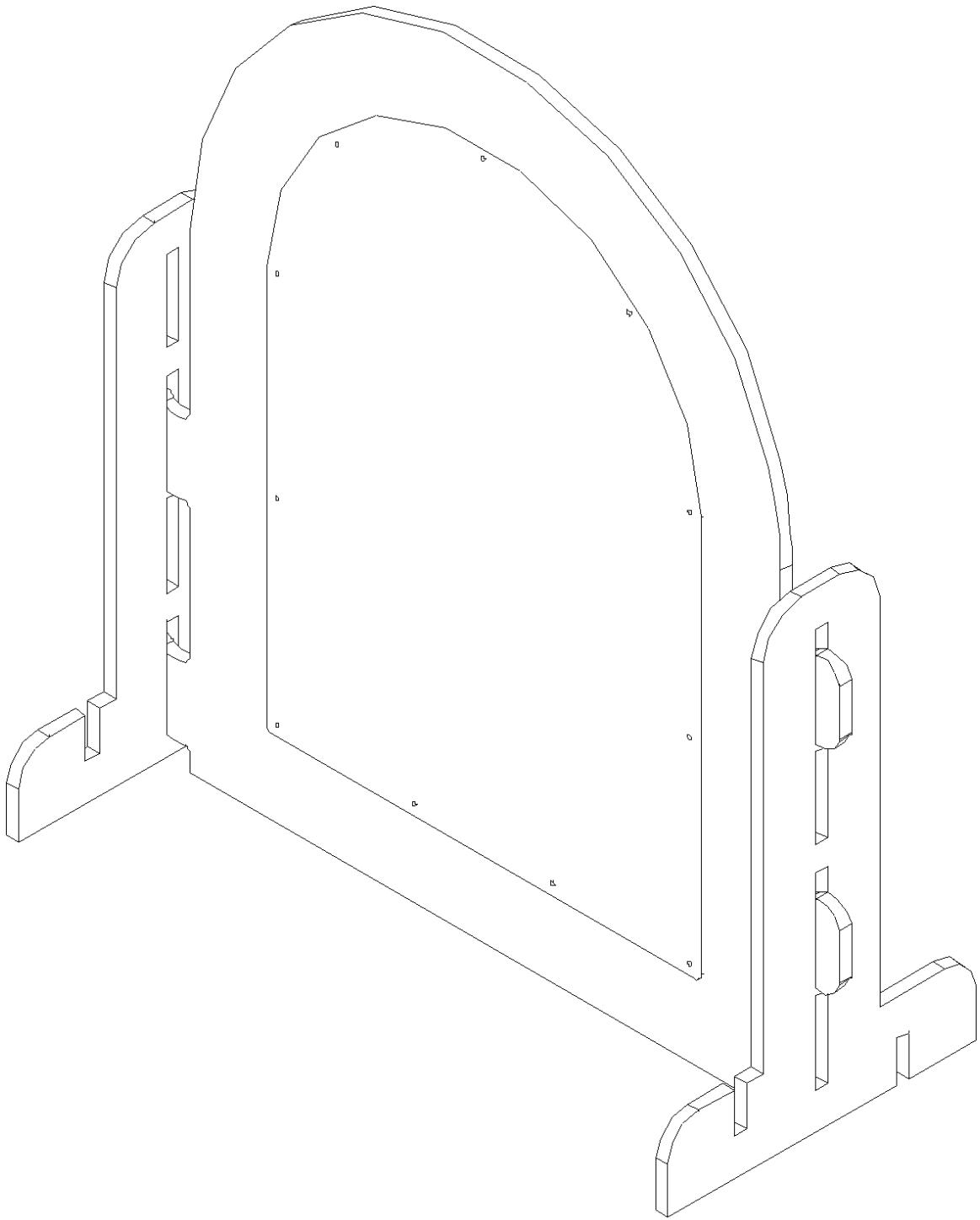
Like all natural timbers when subjected to the elements, under certain conditions, some surfaces may be susceptible to staining, moulds & mosses. Though unsightly these conditions will not cause degradation of the material. Should staining occur it is suggested that the surface be cleaned with a mild detergent. Fading may occur if left in direct sunlight for prolonged periods of time.

An Adult Should **ALWAYS SUPERVISE PLAY!**

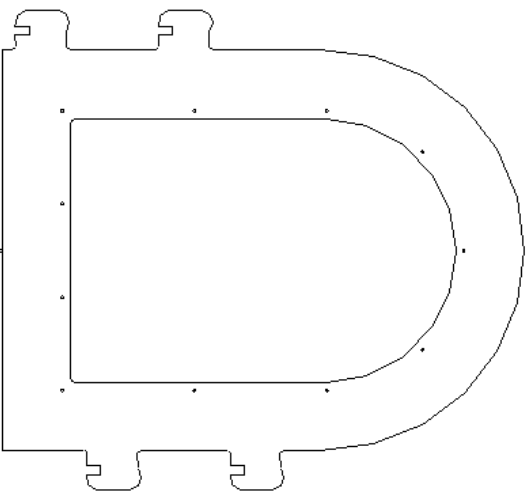
This unit is designed for use on a flat level surface. Please retain our address for future reference

Manufactured by:  
Mike Miller Associates Ltd.,  
Syke Road, Wigton. Cumbria CA7 9NS  
Tel: 016973 49774/45300 Fax: 016973 45511  
Email: info@twoey.co.uk  
Website: www.twoeytoys.com  
Registered in England No: 1425839  
Registered Office: The Old Brewery, Caldbeck.  
Cumbria CA7 8EW

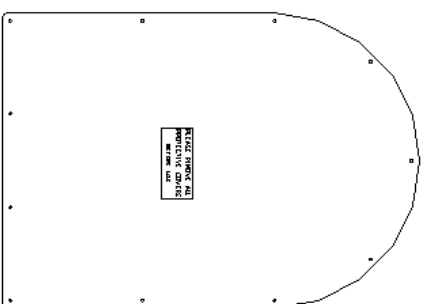




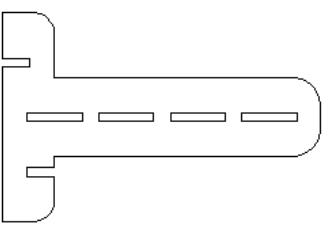
# 2740 - OUTDOOR PERSPEX PANEL (CS0769) COMPONENTS LIST



**A**  
**DS**  
PN: 2740101  
QTY 1




**B**  
PN: 274HW01  
QTY 1



**C**  
PN: 2390202  
QTY 2

ASSEMBLY  
INSTRUCTIONS

KIT  
(SOME EXTRAS INCLUDED)



**F1**  
SCREW PAN HD  
No.6 x 1/2"  
PN: FS61/2P  
QTY 13

PACK 1 OF 1