

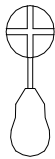
3890 CORNER SHELVING



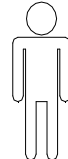
Assembly Instructions.

Please read these instructions carefully before assembling the unit and where necessary refer to the enclosed Component List.

Additional Tools Required.



Adults Required For Assembly.



Maintenance.

Some residual dust from the manufacturing process may be apparent. This will wipe off with a damp cloth.

Your unit may be cleaned with a damp cloth.

Stubborn marks may be removed with a mild detergent or Non-abrasive cream cleaner.

Examine all fasteners periodically and retighten where necessary. Care must be taken not to over tighten the fasteners.

WARNING: SMALL PARTS.

Connecting bolt FBM630SL is used to connect these units together, when these units are not connected the loose connecting bolt then becomes a "choking hazard", and not suitable for children under 36 months, therefore when the units are not connected the bolt must be kept somewhere safe and out of the reach of children

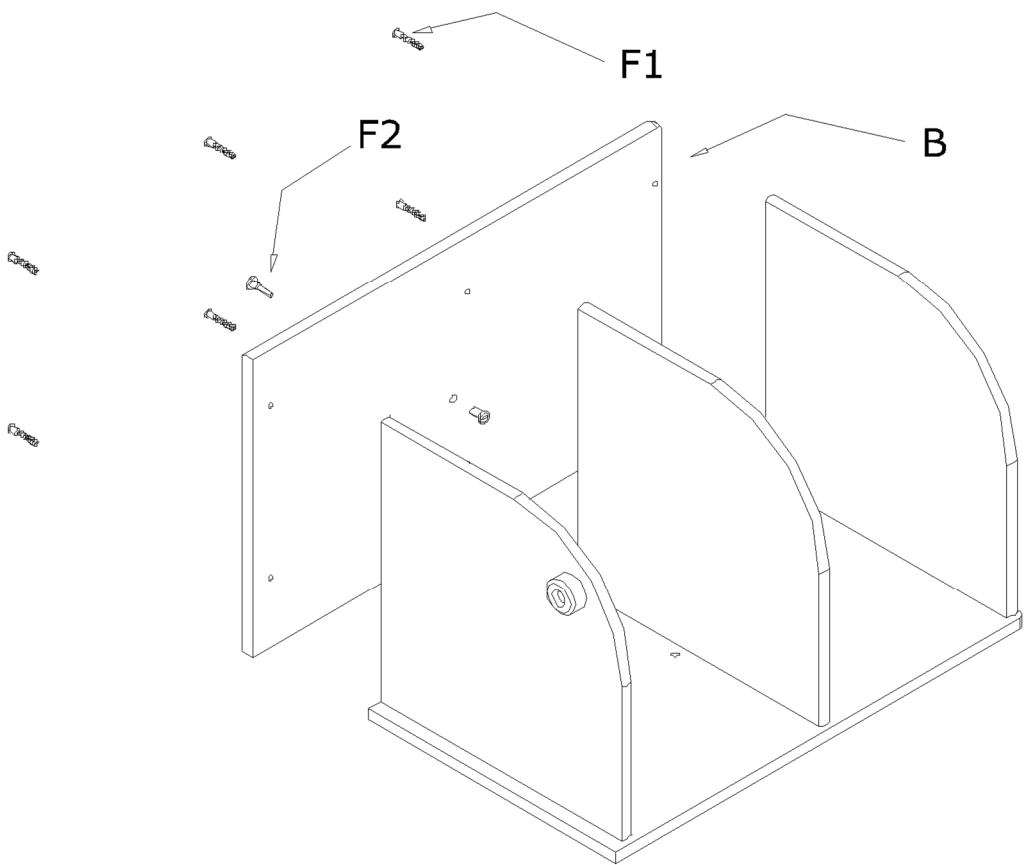
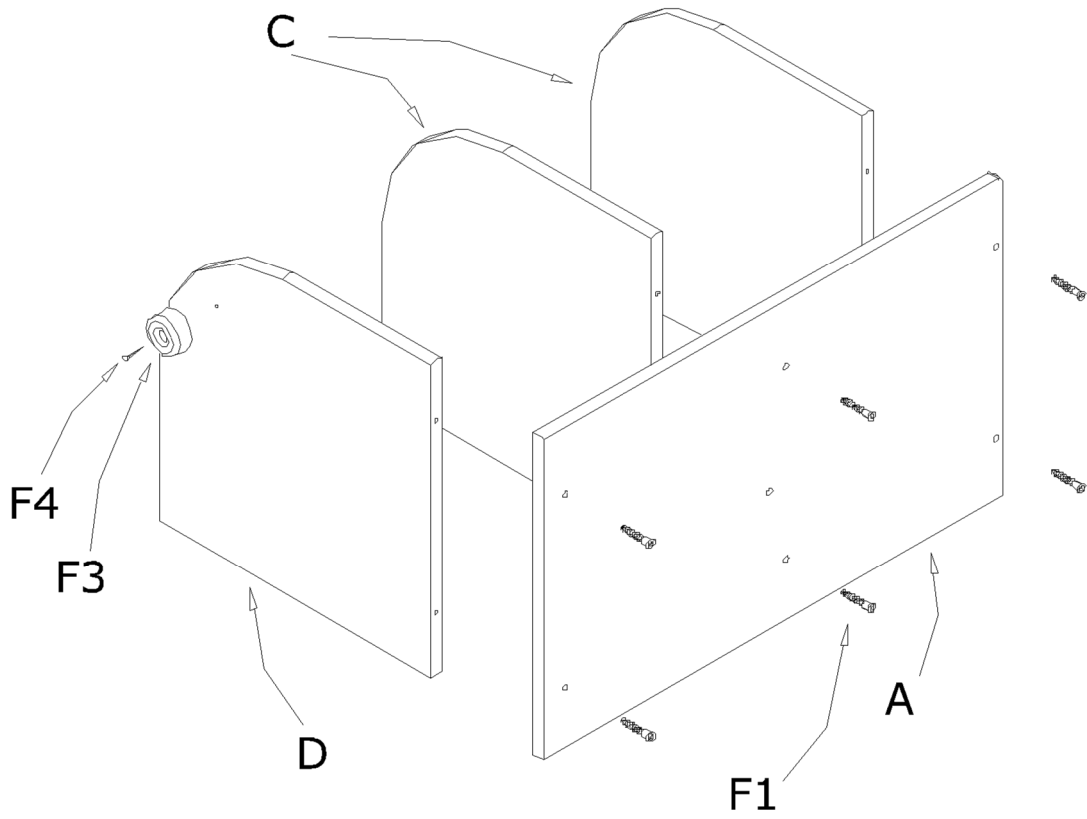
An Adult Should **ALWAYS SUPERVISE PLAY!**

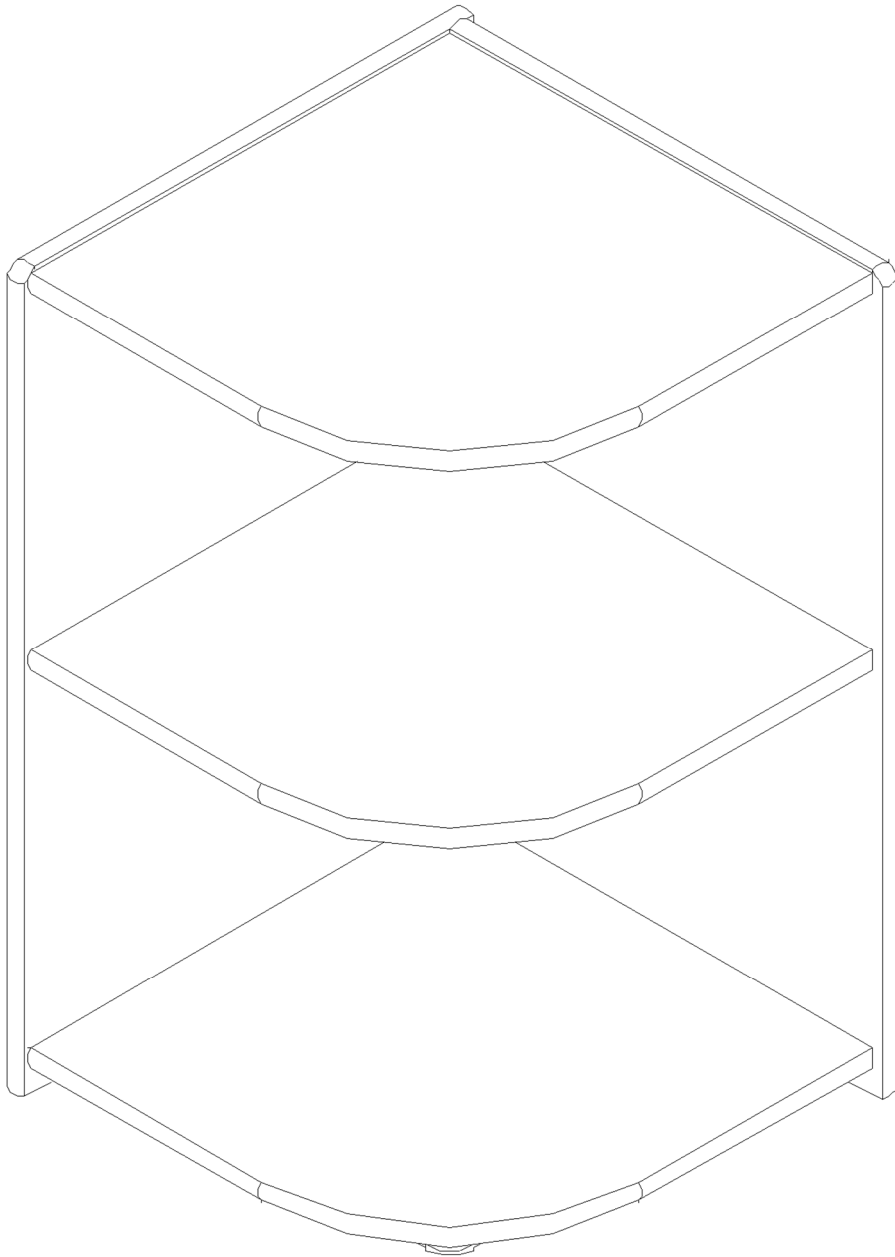
This unit is designed for use on a flat level surface.

Please retain our address for future reference

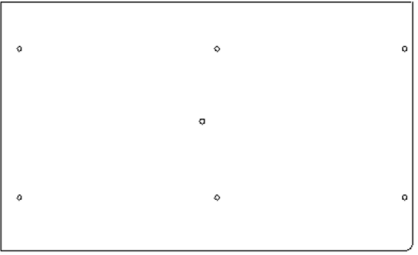


Manufactured by:
Mike Miller Associates Ltd.,
Syke Road, Wigton. Cumbria CA7 9NS
Tel: 016973 49774/45300 Fax: 016973 45511
Email: info@twoey.co.uk
Website: www.twoeytoys.com
Registered in England No: 1425839
Registered Office: The Old Brewery, Caldbeck.
Cumbria CA7 8EW

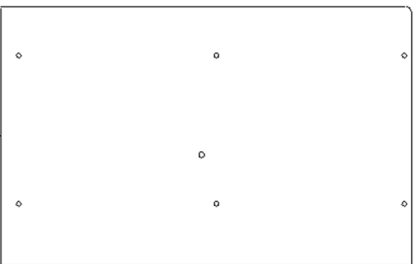




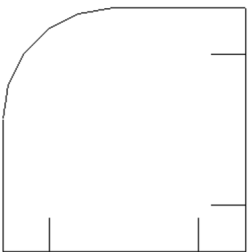
3890 - CORNER SHELVING (CS0000) COMPONENTS LIST



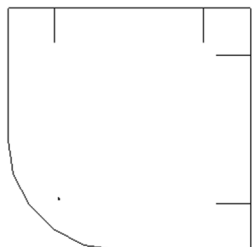
A
PN: 3890101A
QTY: 1



B
PN: 3890101B
QTY: 1



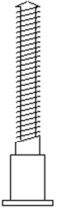
C
PN: 3890201
QTY: 2



D
PN: 3890301
QTY: 1



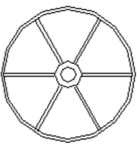
KIT (SOME EXTRAS INCLUDED)



F1
SUPERJOINER
PN: FS6338SW4
QTY 14



F2
BOLT & SLEEVE
M6 x 30
PN: FBM630SL
QTY 1



F3
CIRCULAR GLIDE
PN: APGLD4520
QTY 1



F4
SCREW PAN.HD.
NO.4 x 25
PN: FS425P
QTY 1



F5
ALLEN KEY
PN: AMSW4
QTY 1