

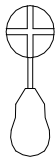
# 3900 CORNER CUPBOARD



## **Assembly Instructions.**

Please read these instructions carefully before assembling the unit and where necessary refer to the enclosed Component List.

### **Additional Tools Required.**



### **Adults Required For Assembly.**



## **Maintenance.**

Some residual dust from the manufacturing process may be apparent. This will wipe off with a damp cloth.

Your unit may be cleaned with a damp cloth.

Stubborn marks may be removed with a mild detergent or Non-abrasive cream cleaner.

Examine all fasteners periodically and retighten where necessary. Care must be taken not to over tighten the fasteners.

## **WARNING: SMALL PARTS.**

Connecting bolt FBM630SL is used to connect these units together, when these units are not connected the loose connecting bolt then becomes a "choking hazard", and not suitable for children under 36 months, therefore when the units are not connected the bolt must be kept somewhere safe and out of the reach of children

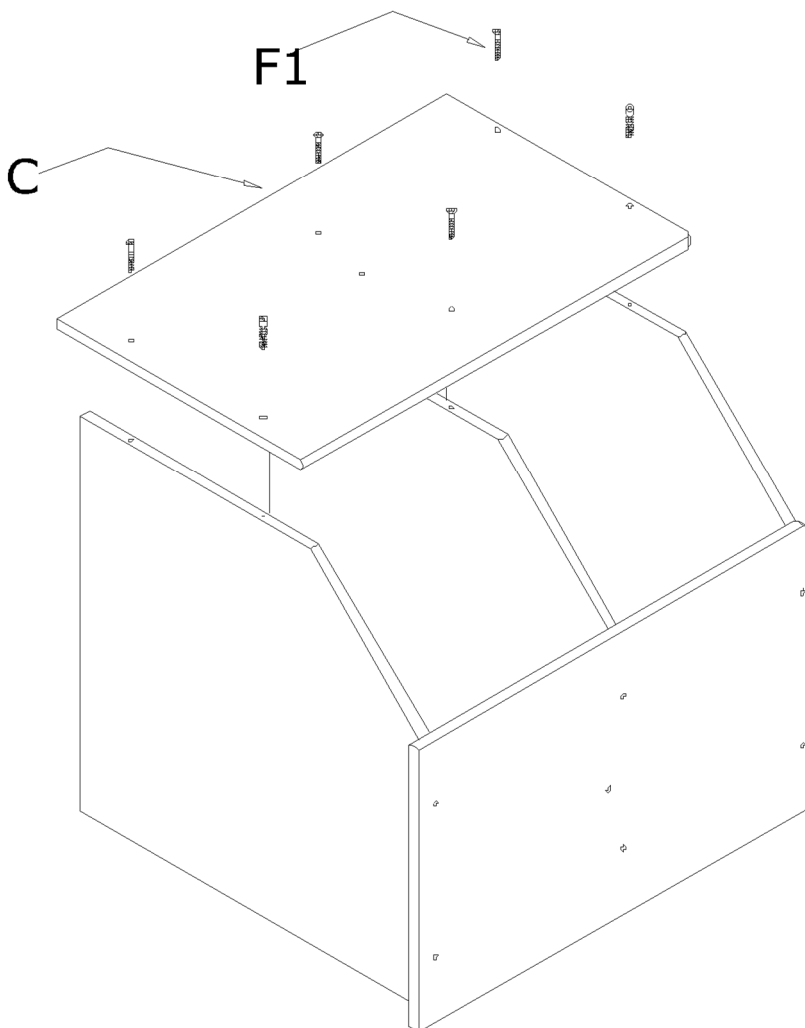
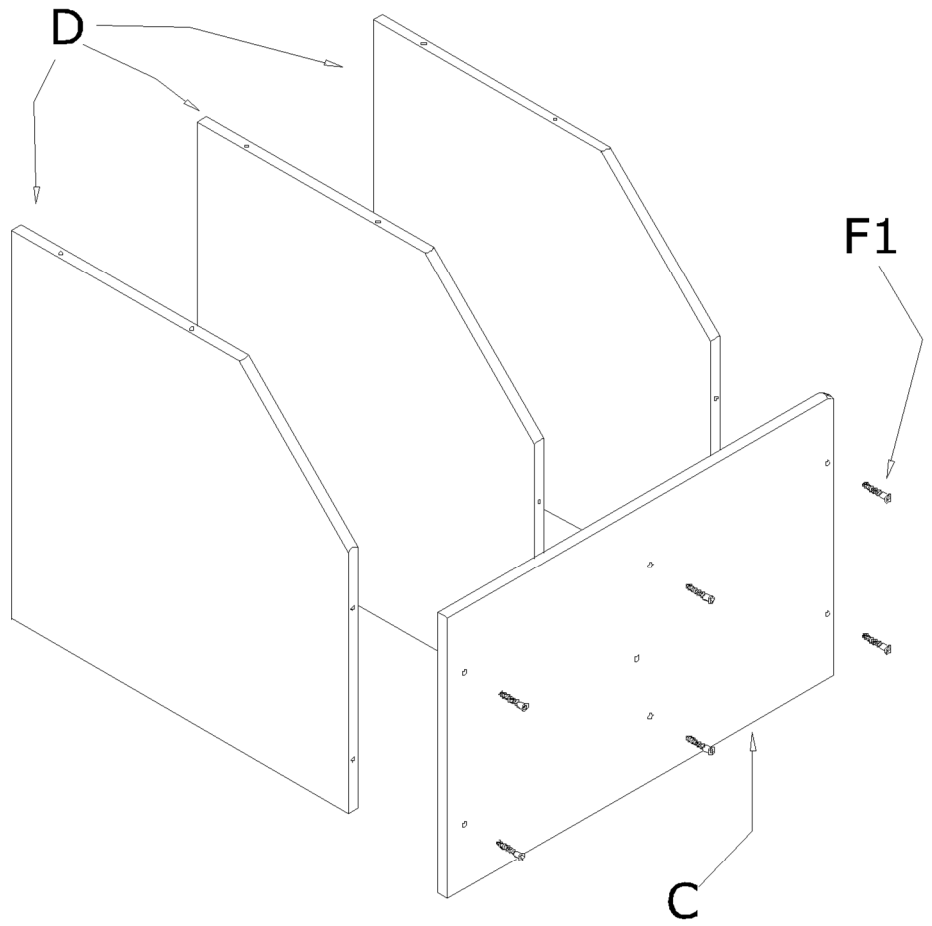
An Adult Should **ALWAYS SUPERVISE PLAY!**

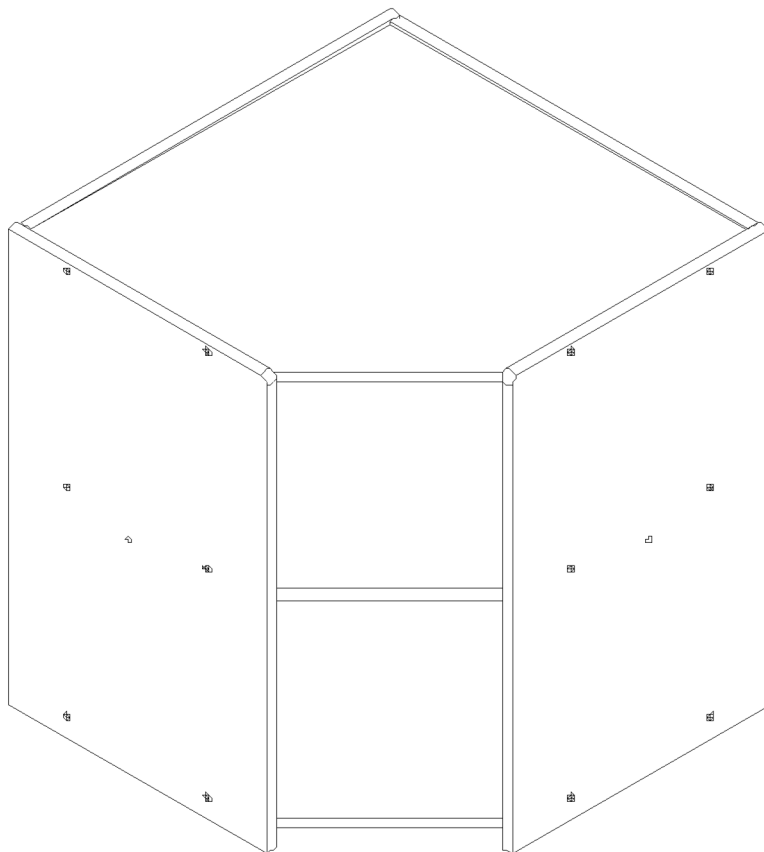
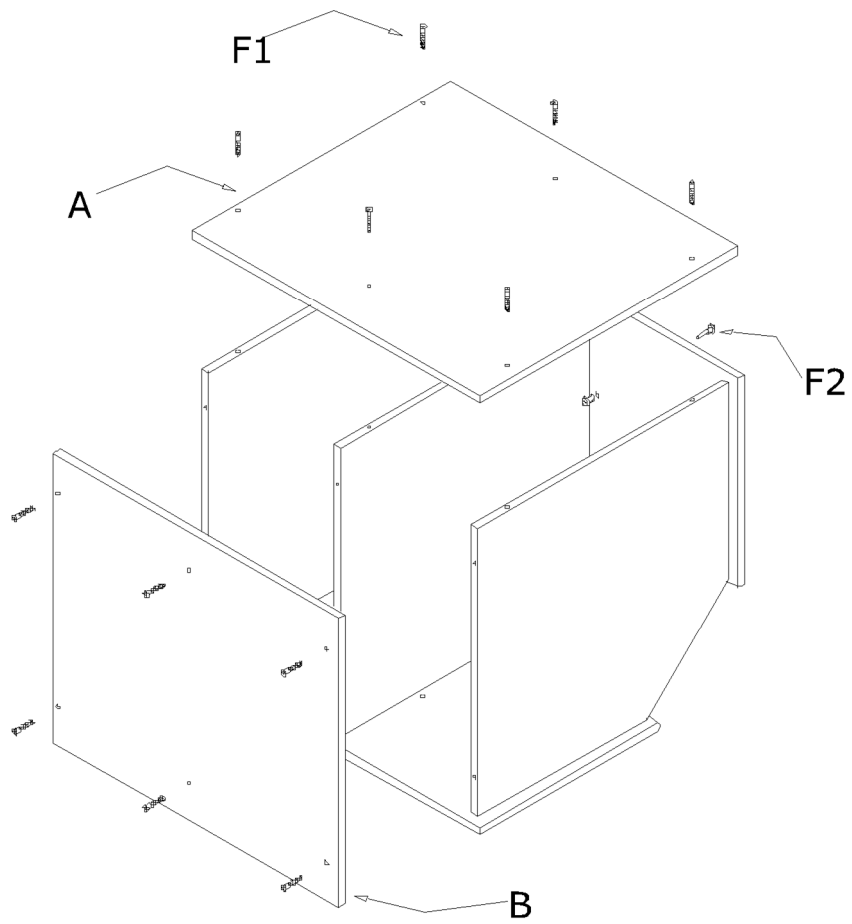
This unit is designed for use on a flat level surface.

Please retain our address for future reference



Manufactured by:  
Mike Miller Associates Ltd.,  
Syke Road, Wigton. Cumbria CA7 9NS  
Tel: 016973 49774/45300 Fax: 016973 45511  
Email: info@twoey.co.uk  
Website: www.twoeytoys.com  
Registered in England No: 1425839  
Registered Office: The Old Brewery, Caldbeck.  
Cumbria CA7 8EW

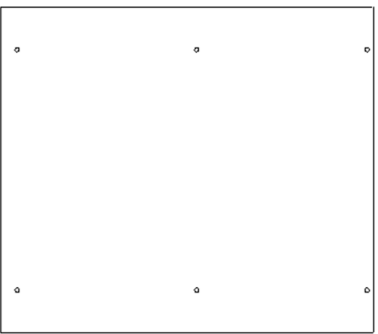




# 3900 - CORNER CUPBOARD (CS0758) COMPONENTS LIST



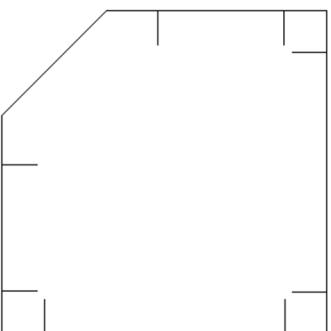
**A**  
PN: 3900101A  
QTY: 1



**B**  
PN: 3900101B  
QTY: 1



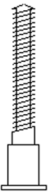


**C**  
PN: 3900201  
QTY: 2



**D**  
PN: 3900301  
QTY: 3

**ASSEMBLY  
INSTRUCTIONS**

**KIT (SOME EXTRAS INCLUDED)**

<p><b>F1</b> SUPERJOINER PN: FS6338SW4 QTY 26</p>		<p><b>F2</b> BOLT &amp; SLEEVE M6 x 30 PN: FBM630SL QTY 1</p>		<p>ALLEN KEY PN: AMSW4 QTY 1</p>	
---	--	---	---	--	---