

**5140
GLO TABLE**



Important Notes!

Epilepsy sufferers should use this product with care.

UV LIGHT PEN

This product is supplied with a UV light pen (CE Labelled) for use with the Glo element of the product. The built in invisible ink marker should **not** be used on the Glo material or any fabric as it will permanently mark it.

The marker is suitable for use with paper or dry wipe board and reacts to UV light.

About.

This Glo board gives an instant visual identifier in darkness. It recharges by exposure to the sun, ambient room light or a UV light source. Its uses safe non-toxic material which is REACH compliant

Assembly Instructions.

Please read these instructions carefully before assembling the unit and where necessary refer to the enclosed Component List.

Additional Tools Required.



Adults Required for Assembly.



Maintenance.

Some residual dust from the manufacturing process may be apparent. This will wipe off with a damp cloth.

Your unit may be cleaned with a damp cloth.

Stubborn marks may be removed with a mild detergent or Non-abrasive cream cleaner.

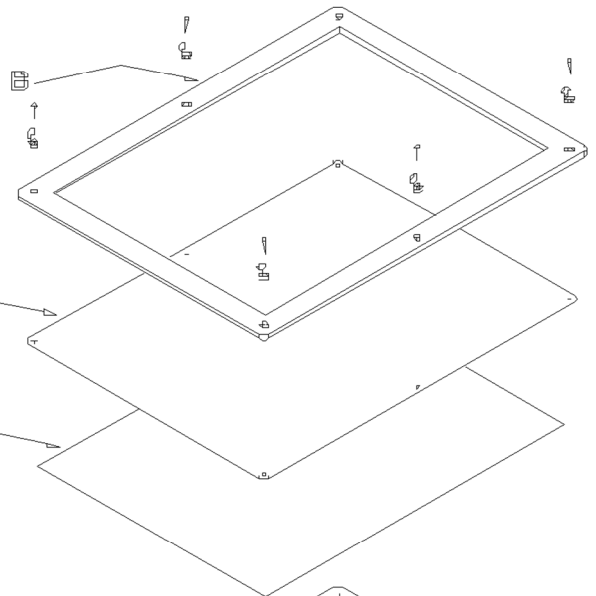
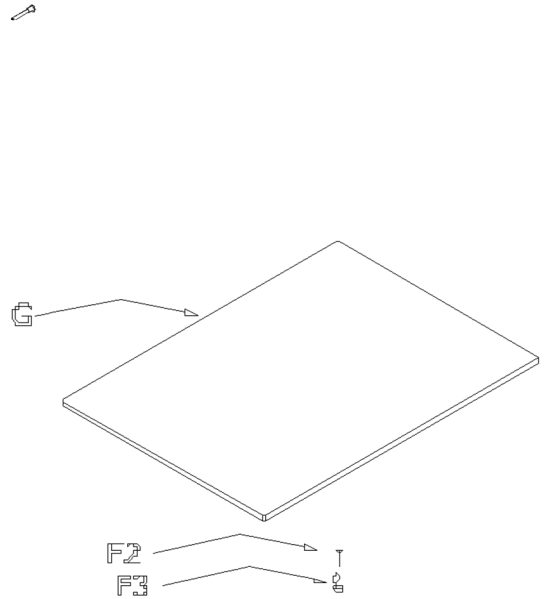
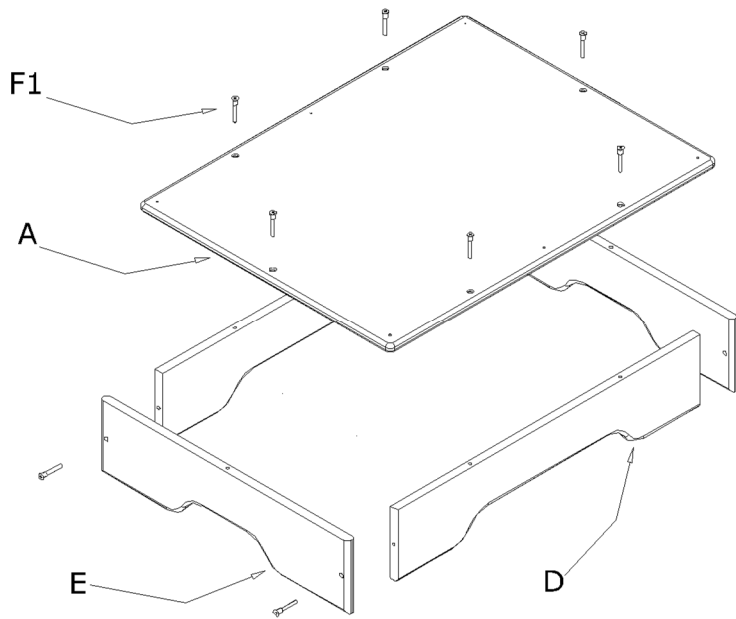
Examine all fasteners periodically and retighten where necessary. Care must be taken not to over tighten the fasteners.

An Adult Should **ALWAYS SUPERVISE PLAY!**

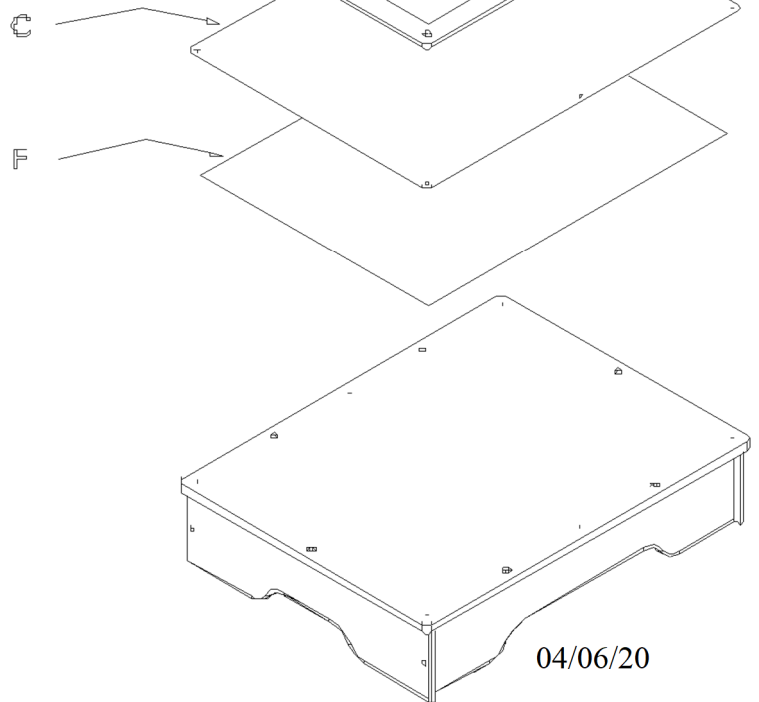
This unit is designed for use on a flat level surface.

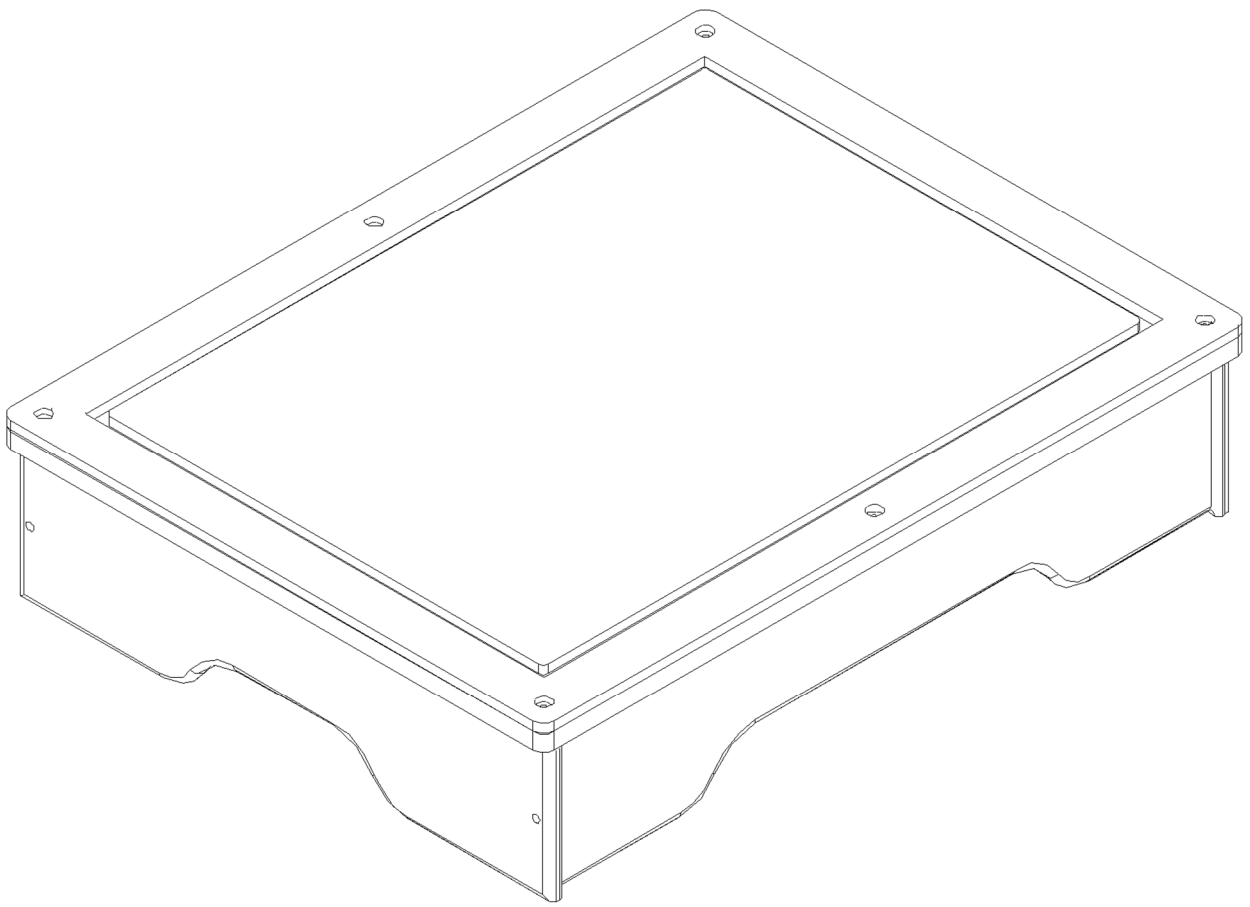
Please retain our address for future reference

Manufactured by:
Mike Miller Associates Ltd.,
Syke Road, Wigton. Cumbria CA7 9NS
Tel: 016973 49774/45300 Fax: 016973 45511
Email: info@twoey.co.uk
Website: www.twoeytoys.com
Registered in England No: 1425839
Registered Office: The Old Brewery, Caldbeck.
Cumbria CA7 8EW

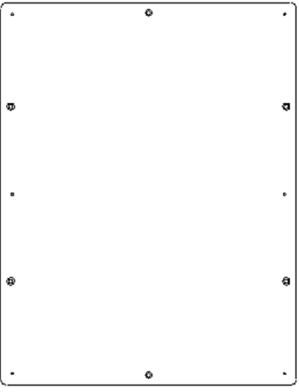


GLO FABRIC MUST BE SHINY SIDE UP

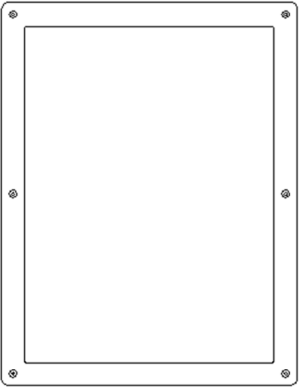




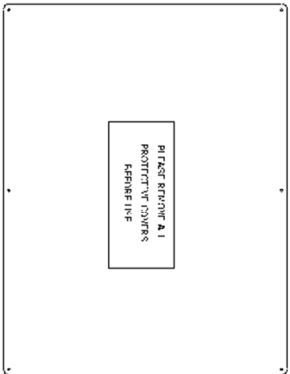
5140 - GLO TABLE (CS0761) COMPONENTS LIST



A
PN: 5140101
QTY 1



B
PN: 5140202A
QTY 1



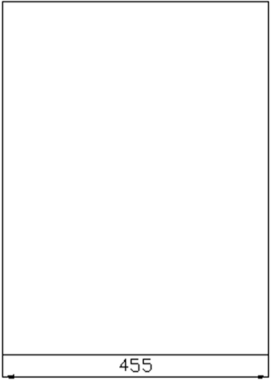
C
PN: 514HW01
QTY 1



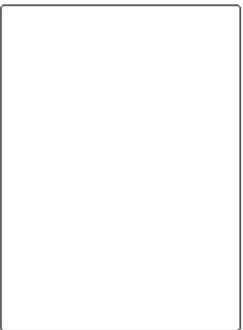
D
PN: 5140401
QTY 2



E
PN: 5140501
QTY 2







F
PN: 514HW02
QTY 1



G
PN: 5140202B
QTY 1

Assembly
Instructions

KIT LIST
(SOME EXTRA'S INCLUDED)

<p>F1 SUPERJOINER PN: FS6338SW4 QTY 12</p> 	<p>F2 SCREW CSK HD No.6 x 3/4" PN: FS63/4C QTY 6</p> 
<p>F3 COVER CAP BEIGE 14mm PN: FOCCAP01 QTY 6</p> 	<p>F4 UV LIGHT PEN PN: AOPEN01 QTY 2</p> 
<p>ALLEN KEY PN: AMSW4 QTY 1</p> 