

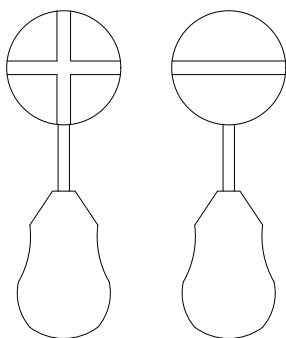
# 6910 - DOUBLE SIDED PERSPEX UNIT (CS0740)



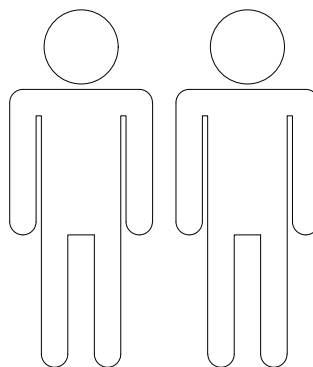
## **Assembly Instructions**

Please read these instructions carefully before assembling the unit and where necessary refer to the enclosed component list.

## **Additional Tools Required**



## **Adults Required For Assembly**



## **Maintenance**

Some residual dust from the manufacturing process may be apparent. This will wipe off with a damp cloth.

Examine all fasteners periodically and retighten where necessary.

Care must be taken not to overtighten the fasteners.

## **WARNING: Small Parts**

Connecting bolt FBM630SL is used to connect these units together, when these units are not connected the loose connecting bolt FBM630SL then becomes a "choking hazard", and not suitable for children under 36 months, therefore when the units are not connected the bolt must be kept somewhere safe and out of the reach of children.

An Adult Should **ALWAYS SUPERVISE PLAY!**

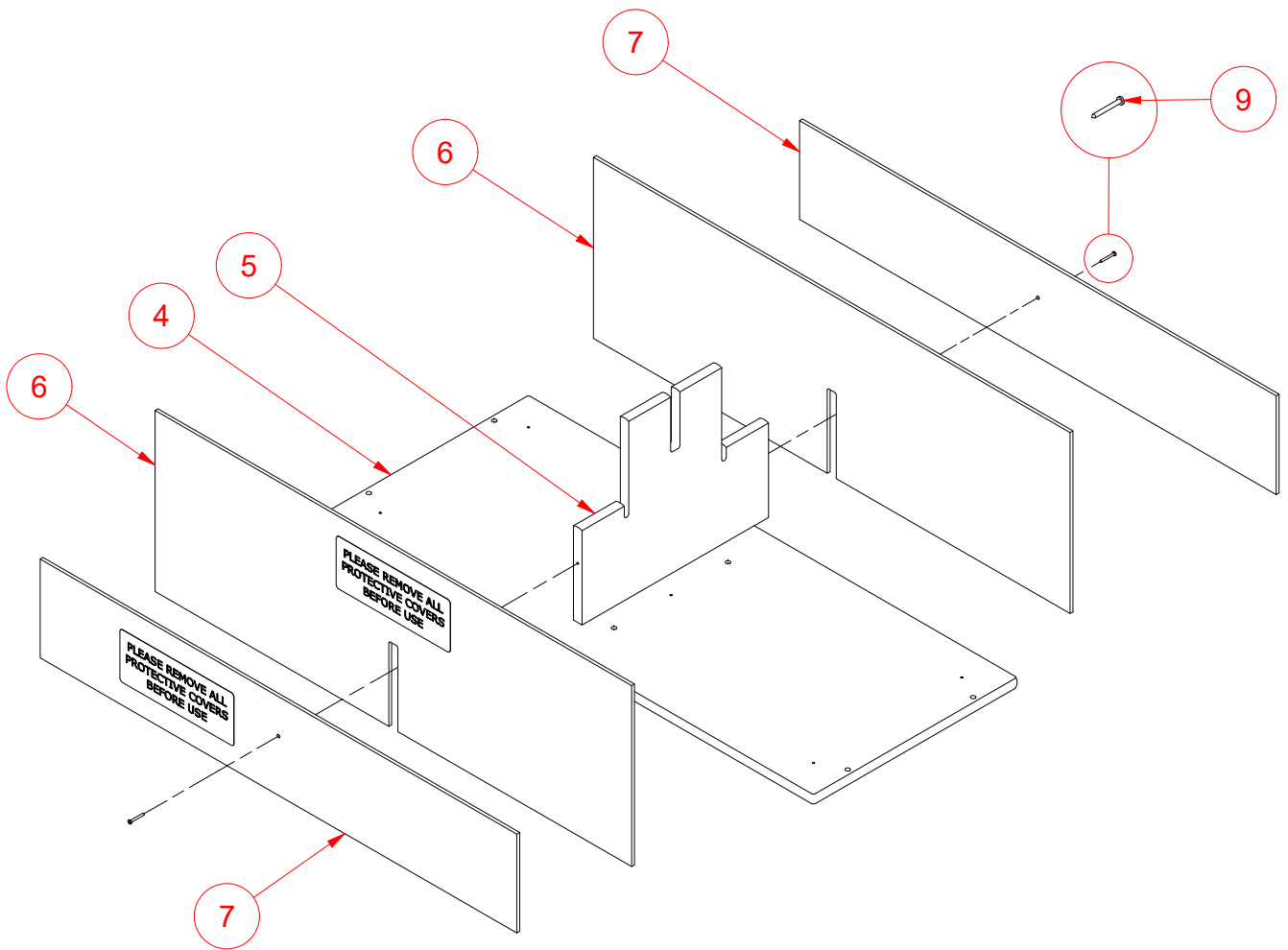
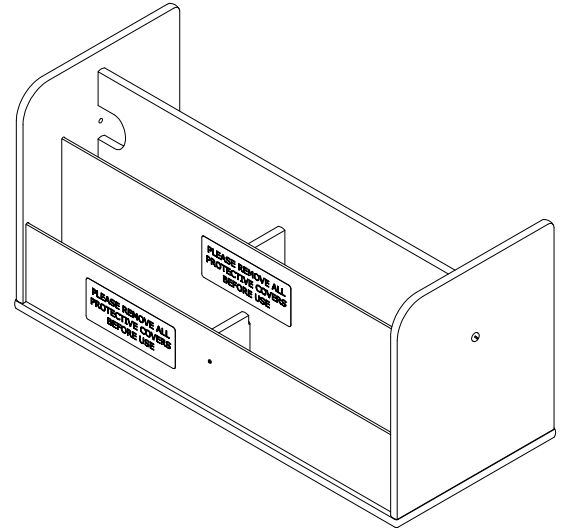
This unit is designed for use on a flat level surface.

Please retain our address for future reference

Manufactured by:  
Mike Miller Associates Ltd,  
Syke Road, Wigton, Cumbria CA7 9NS  
Tel: 016973 49774 / 45300  
Fax: 016973 45511  
Email: [info@twoey.co.uk](mailto:info@twoey.co.uk)  
Website: [www.twoeytoys.com](http://www.twoeytoys.com)  
Registered in England No: 1425839  
Registered Office: The Old Brewery, Caldbeck,  
Cumbria CA7 8EW

ITEM	PACK NUMBER	PART NUMBER	QTY
1	1 OF 1	6910101A	1
2	1 OF 1	6910101B	1
3	1 OF 1	6910101C	1
4	1 OF 1	6910201	1
5	1 OF 1	6910301	1
6	1 OF 1	691HW01	2
7	1 OF 1	691HW02	2

ITEM	PACK NUMBER	PART NUMBER	QTY
8	1 OF 1	APGLD4520	5
9	1 OF 1	FS42/5P	7
10	1 OF 1	FC15C	4
11	1 OF 1	FC3410MINI15	4
12	1 OF 1	FS6338SW4	6
13	1 OF 1	FBM630SL	1
14	1 OF 1	AMSW4	1



ITEM	PACK NUMBER	PART NUMBER	QTY
1	1 OF 1	6910101A	1
2	1 OF 1	6910101B	1
3	1 OF 1	6910101C	1
4	1 OF 1	6910201	1
5	1 OF 1	6910301	1
6	1 OF 1	691HW01	2
7	1 OF 1	691HW02	2

ITEM	PACK NUMBER	PART NUMBER	QTY
8	1 OF 1	APGLD4520	5
9	1 OF 1	FS42/5P	7
10	1 OF 1	FC15C	4
11	1 OF 1	FC3410MINI15	4
12	1 OF 1	FS6338SW4	6
13	1 OF 1	FBM630SL	1
14	1 OF 1	AMSW4	1

