

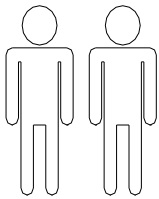
**4830  
JUNIOR READING CORNER  
SINGLE SOFA**



**Assembly Instructions.**

Please read these instructions carefully before assembling the unit and where necessary refer to the enclosed Component List.

**Adults Required For Assembly.**



**Maintenance.**

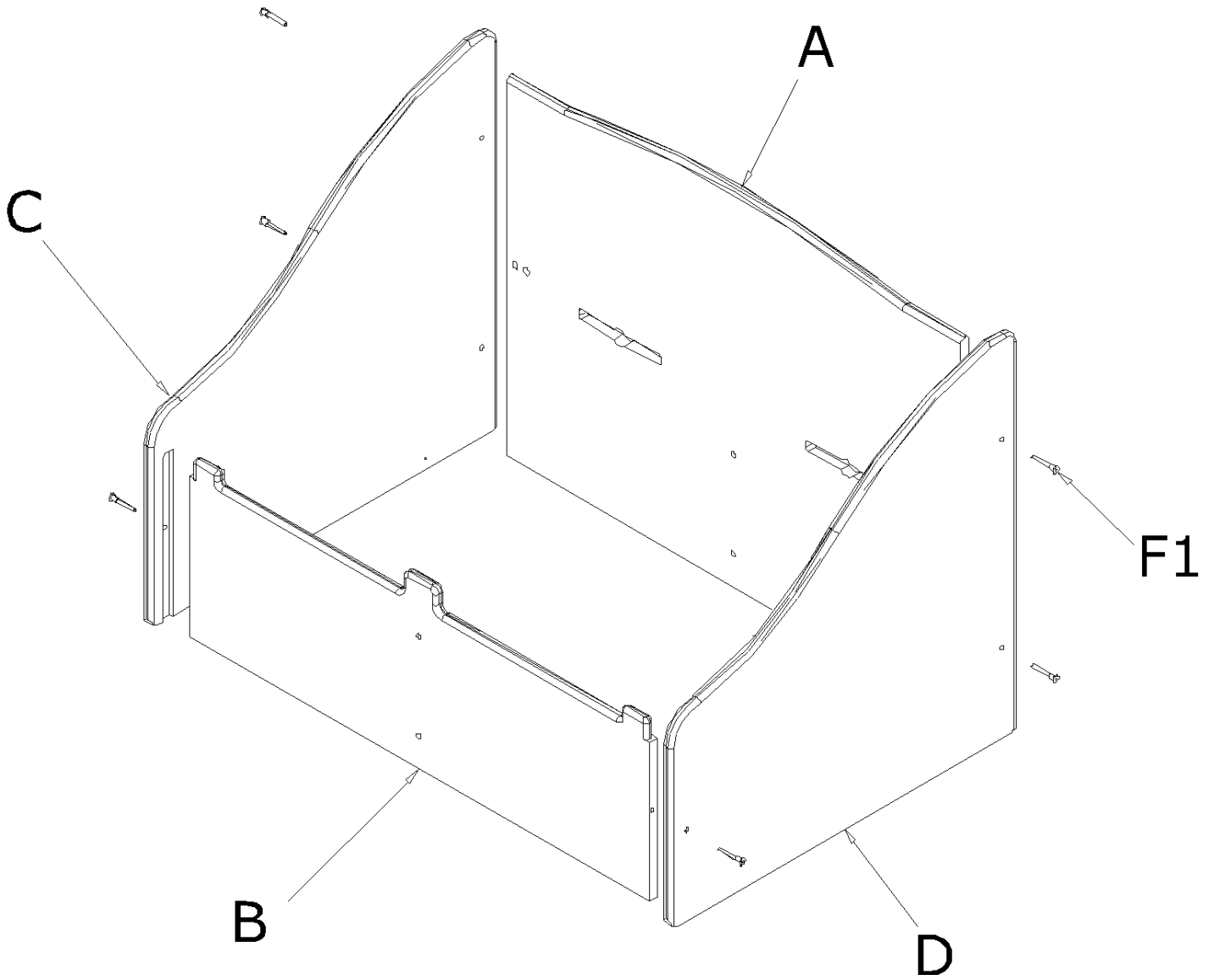
Some residual dust from the manufacturing process may be apparent. Your unit may be cleaned with a damp cloth; stubborn marks may be removed with a mild detergent or non-abrasive cream cleaner. Examine all fasteners periodically and retighten where necessary. Care must be taken not to over tighten the fasteners.

This unit is designed for use indoors on a flat level surface.

An Adult Should **ALWAYS SUPERVISE PLAY!**

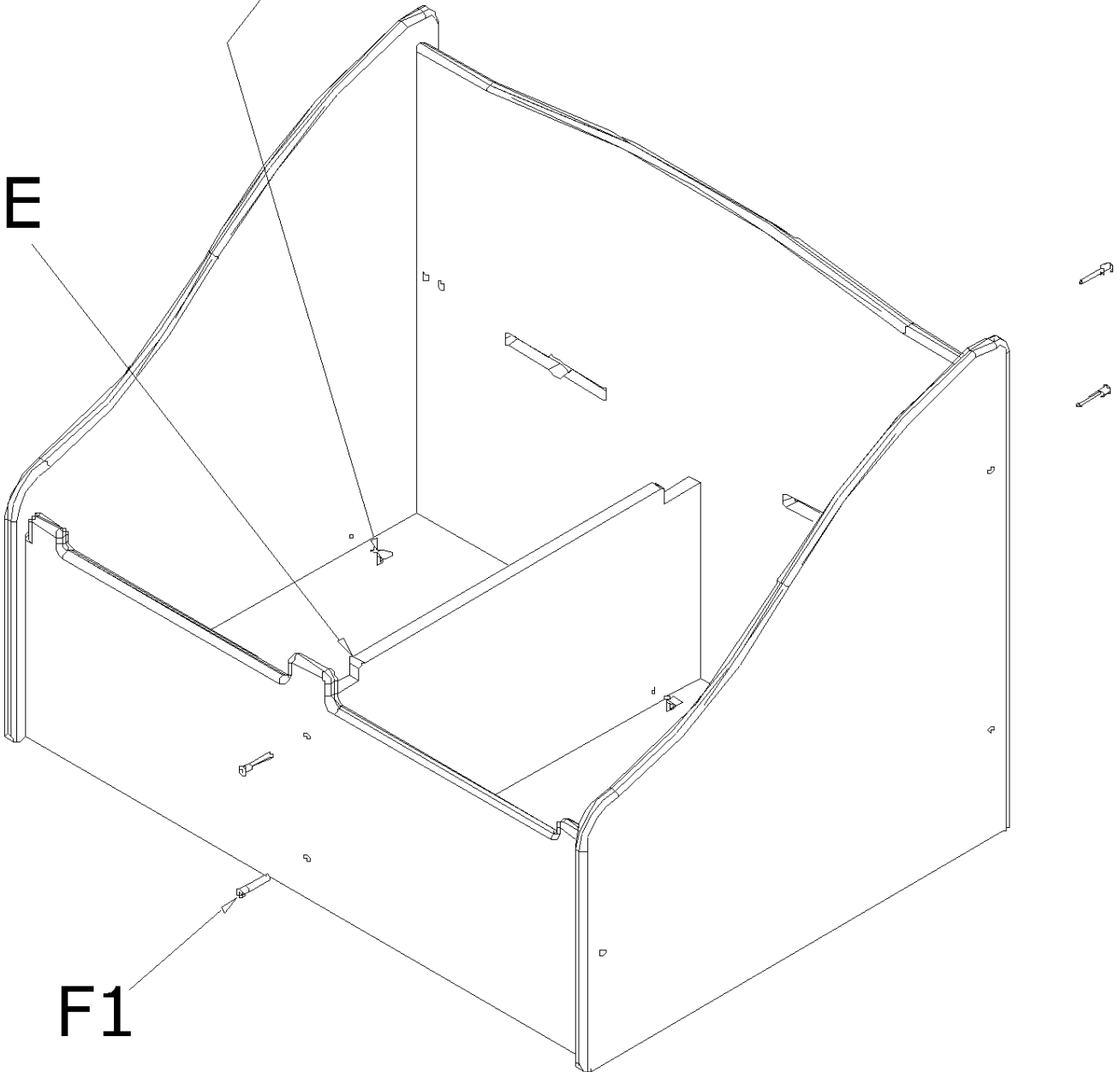
Please retain our address for future reference

Manufactured by:  
Mike Miller Associates Ltd.,  
Syke Road, Wigton. Cumbria CA7 9NS  
Tel: 016973 49774/45300 Fax: 016973 45511  
Email: [info@twoey.co.uk](mailto:info@twoey.co.uk)  
Website: [www.twoeytoys.com](http://www.twoeytoys.com)  
Registered in England No: 1425839  
Registered Office: The Old Brewery, Caldbeck.  
Cumbria CA7 8EW

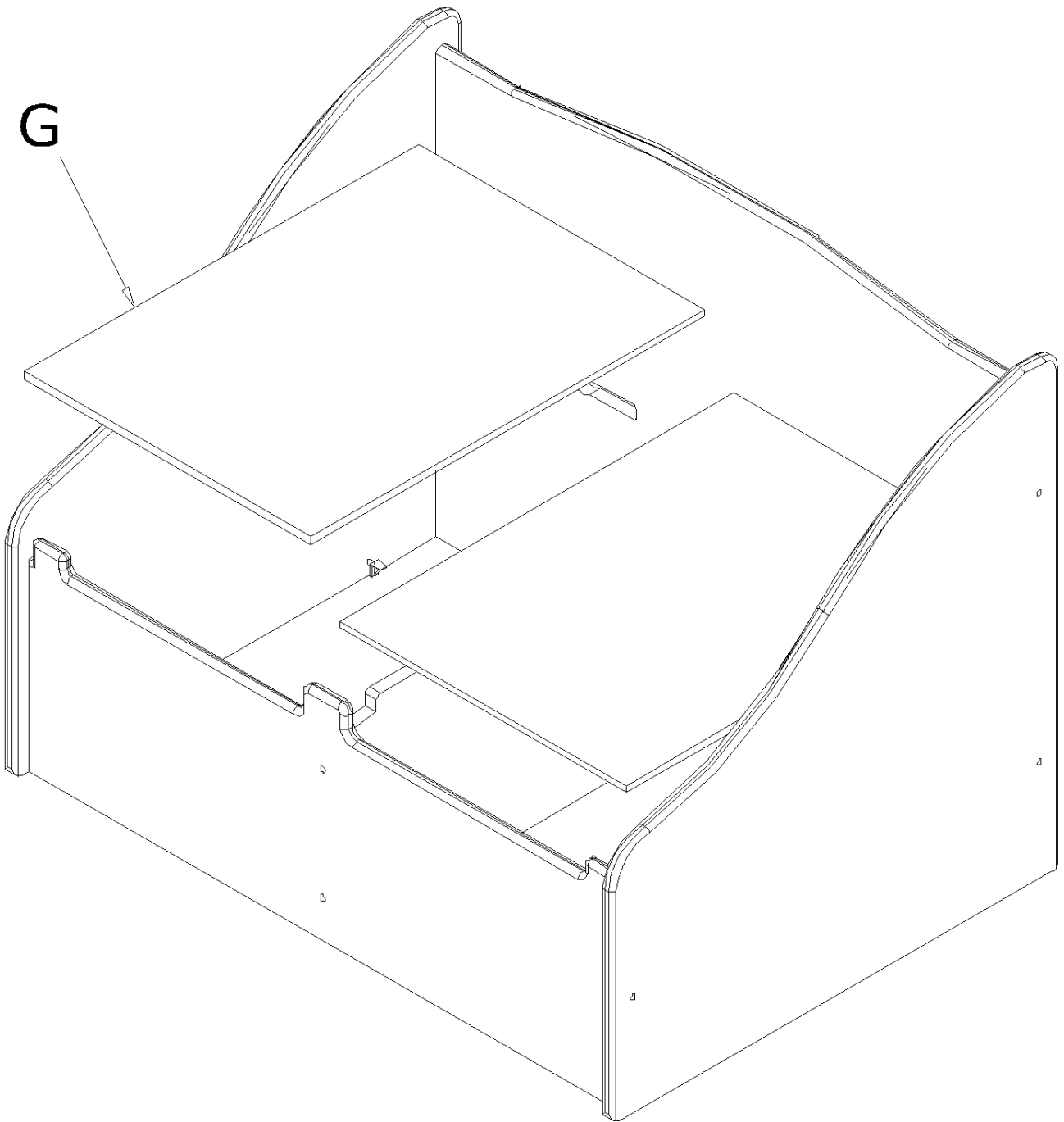


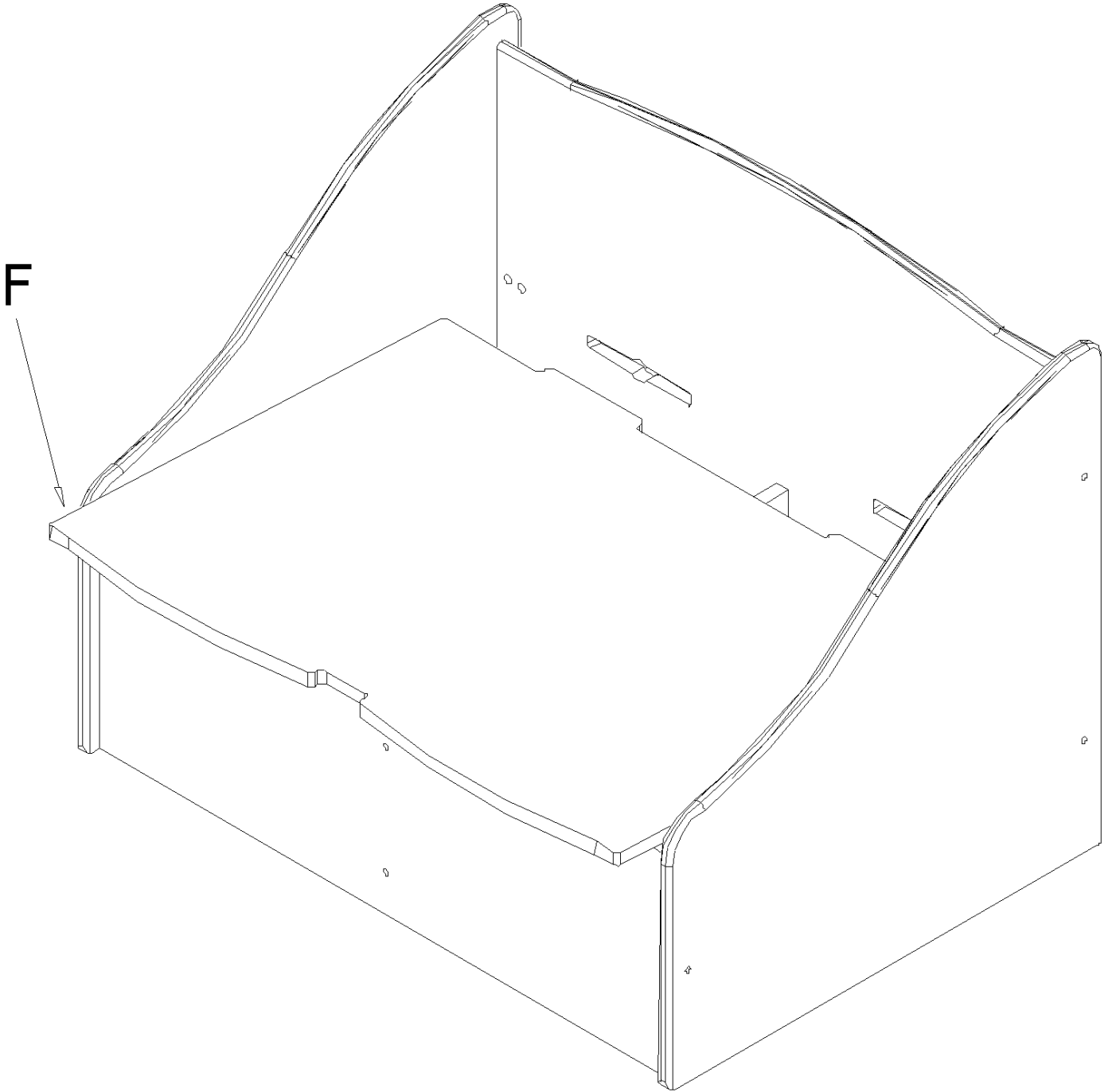
**F3 x 8**

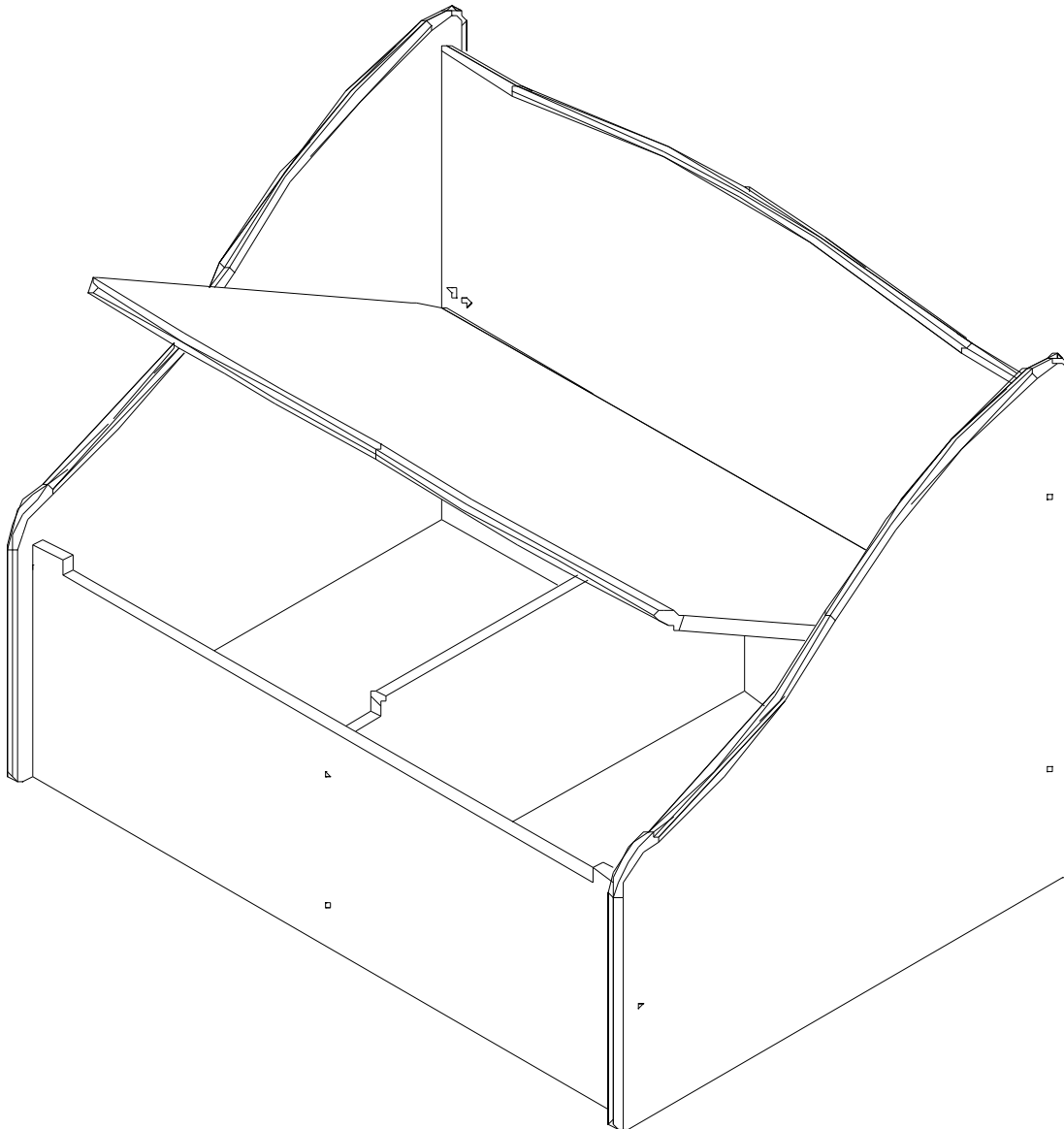
**E**



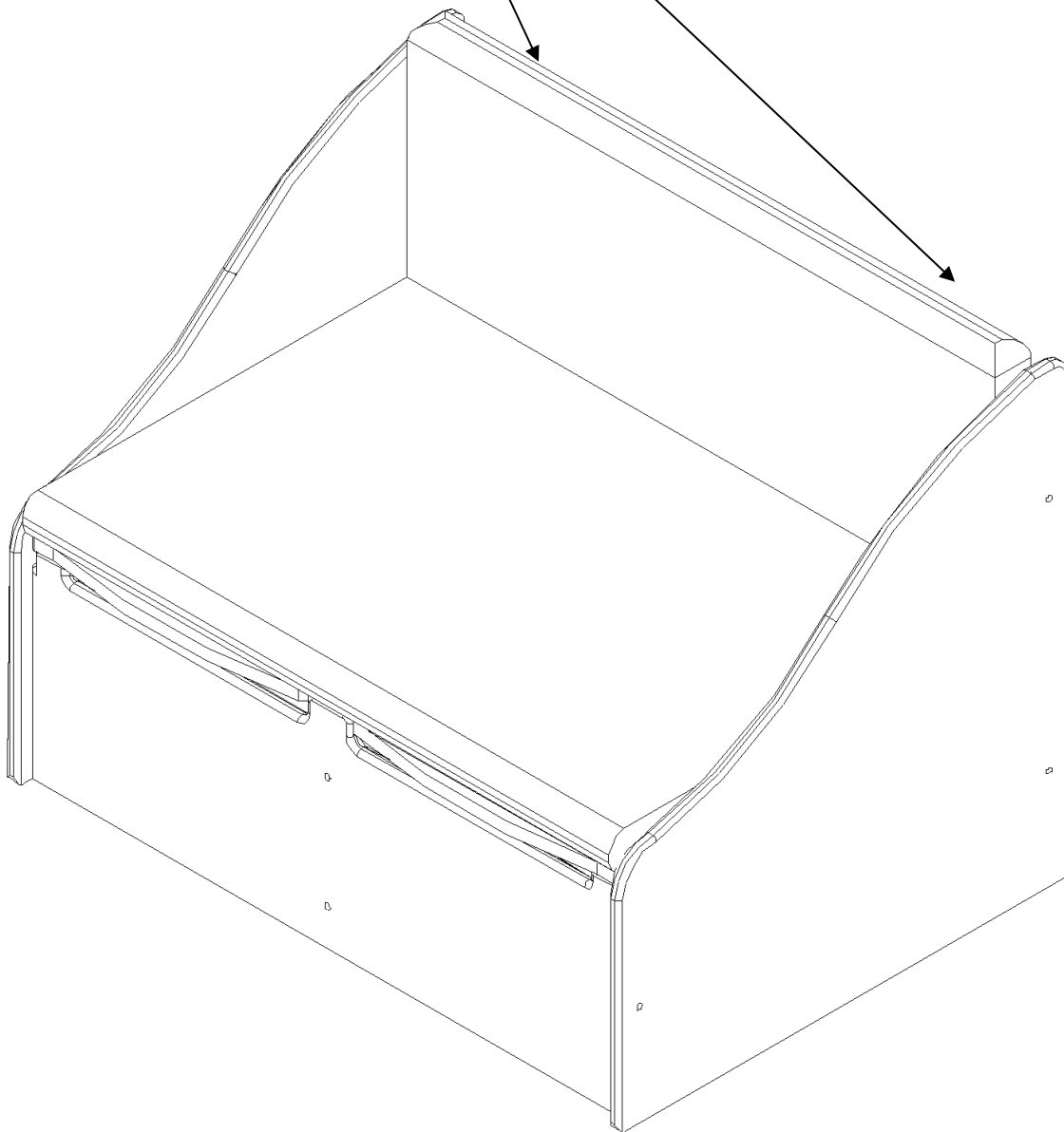
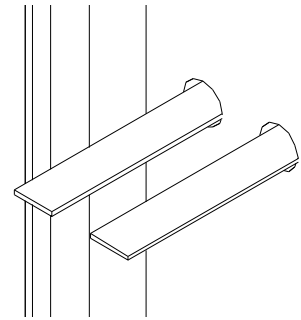
**F1**



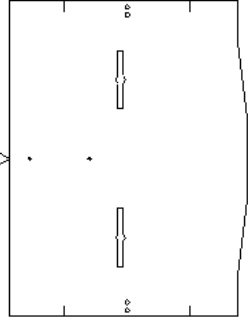




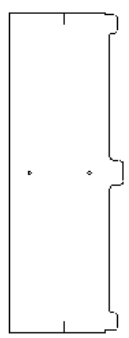
Cushions Tie at Back



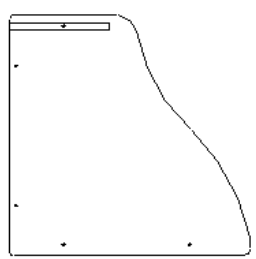
# 4830 - JUNIOR READING CORNER SINGLE SOFA (CS0733) COMPONENTS LIST



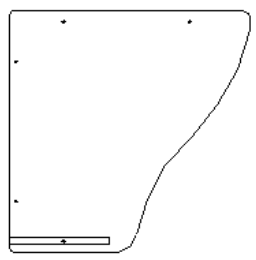
**A**  
PN: 4830103  
QTY 1



**B**  
PN: 4830202  
QTY 1



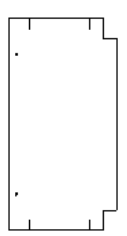
**C**  
PN: 4800104  
QTY 1



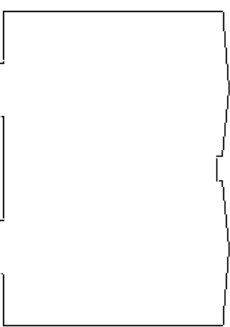
**D**  
PN: 4801002  
QTY 1



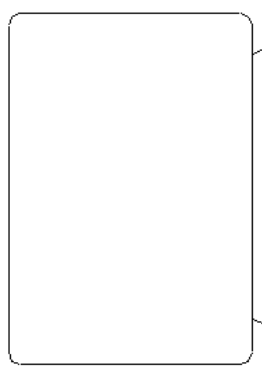
**G**  
PN: 4800803  
QTY 2



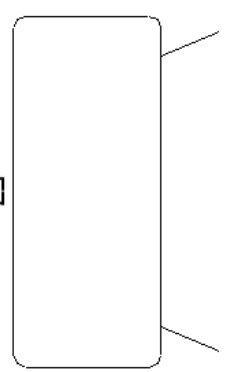
**E**  
PN: 4800603  
QTY 1



**F**  
PN: 4800703  
QTY 1




**F6**  
CUSHION  
PN: 480HW01  
QTY 1




**F7**  
CUSHION  
PN: 480HW02  
QTY 1

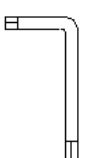
**KIT (SOME EXTRA'S INCLUDED)**



**F1**  
SUPERJOINER  
PN: FS6338SW4  
QTY 12



**F3**  
SHELF SUPPORT  
PN: AOSHELF01  
QTY 8



ALLEN KEY  
PN: AMSW4  
QTY 1