

# 2520 - OUTDOOR TUNNEL (CS0756)

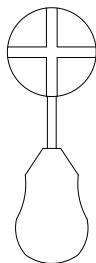


## **Assembly Instructions**

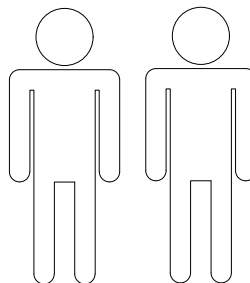
Please read these instructions carefully before assembling the unit and where necessary refer to the enclosed component list.

The unit can be fixed to the floor through the holes provided when used in an upright position. (Fixings are not provided). Also the internal panels can be assembled in any configuration.

## **Additional Tools Required**



## **Adults Required For Assembly**



## **Maintenance**

Some residual dust from the manufacturing process may be apparent. This will wipe off with a damp cloth.

Examine all fasteners periodically and retighten where necessary. Care must be taken not to overtighten the fasteners.

## **Weathering Effects.**

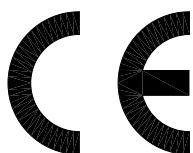
Like all natural timbers when subjected to the elements, under certain conditions, some surfaces may be susceptible to staining, moulds & mosses. Though unsightly these conditions will not cause degradation of the material. Should staining occur it is suggested that the surface be cleaned with a mild detergent.

Fading may occur if left in direct sunlight for prolonged periods of time.

An Adult Should **ALWAYS SUPERVISE PLAY!**

This unit is designed for use on a flat level surface.

Please retain our address for future reference

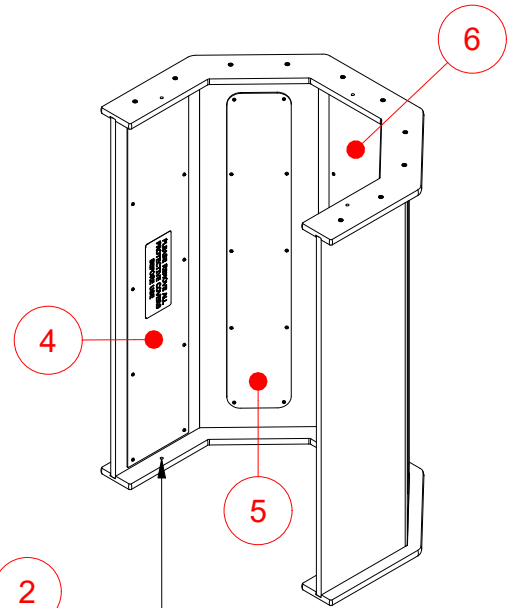
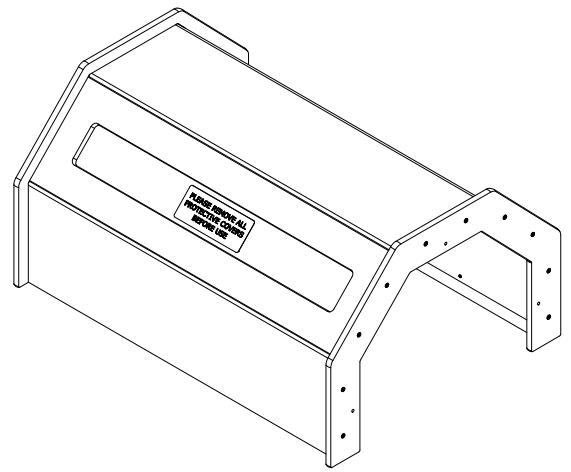


Manufactured by:  
Mike Miller Associates Ltd,  
Syke Road, Wigton, Cumbria CA7 9NS  
Tel: 016973 49774 / 45300  
Fax: 016973 45511  
Email: [info@twoey.co.uk](mailto:info@twoey.co.uk)  
Website: [www.twoeytoys.com](http://www.twoeytoys.com)  
Registered in England No: 1425839  
Registered Office: The Old Brewery, Caldbeck,  
Cumbria CA7 8EW

ITEM	PACK NUMBER	PART NUMBER	QTY
1	1 OF 1	2520101	3
2	1 OF 1	2520201	2
3	1 OF 1	2520301	2
4	1 OF 1	252HW01	2
5	1 OF 1	252HW02	2
6	1 OF 1	252HW03	1

ITEM	PACK NUMBER	PART NUMBER	QTY
7	1 OF 1	FS6338SW4	*20
8	1 OF 1	FS61/2P	*50
9	1 OF 1	AMSW4	1

\* x2 ADDITIONAL FIXINGS SUPPLIED



FLOOR FIXING HOLES  
x3 EACH END

