

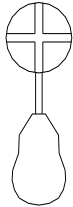
**0020  
INDOOR GARAGE**



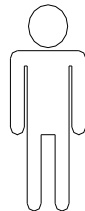
**Assembly Instructions**

Please read these instructions carefully before assembling the unit and where necessary refer to the enclosed Component List.

**Additional Tools Required**



**Adults Required For Assembly**



**Maintenance.**

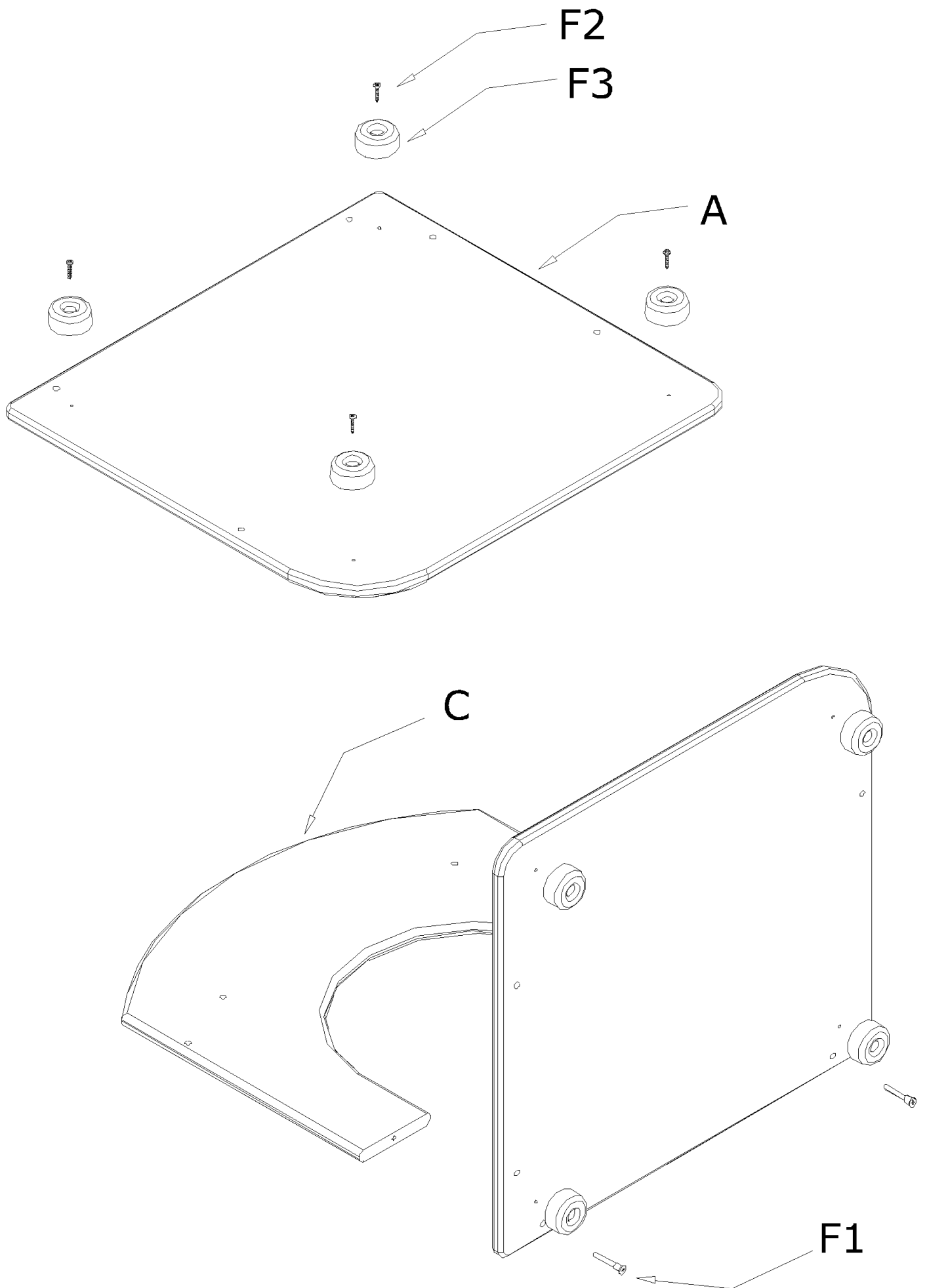
Some residual dust from the manufacturing process may be apparent. This will wipe off with a damp cloth. Examine all fasteners periodically and retighten where necessary. Care must be taken not to over tighten the fasteners. Should staining occur it is suggested that the surface be cleaned with a mild detergent.

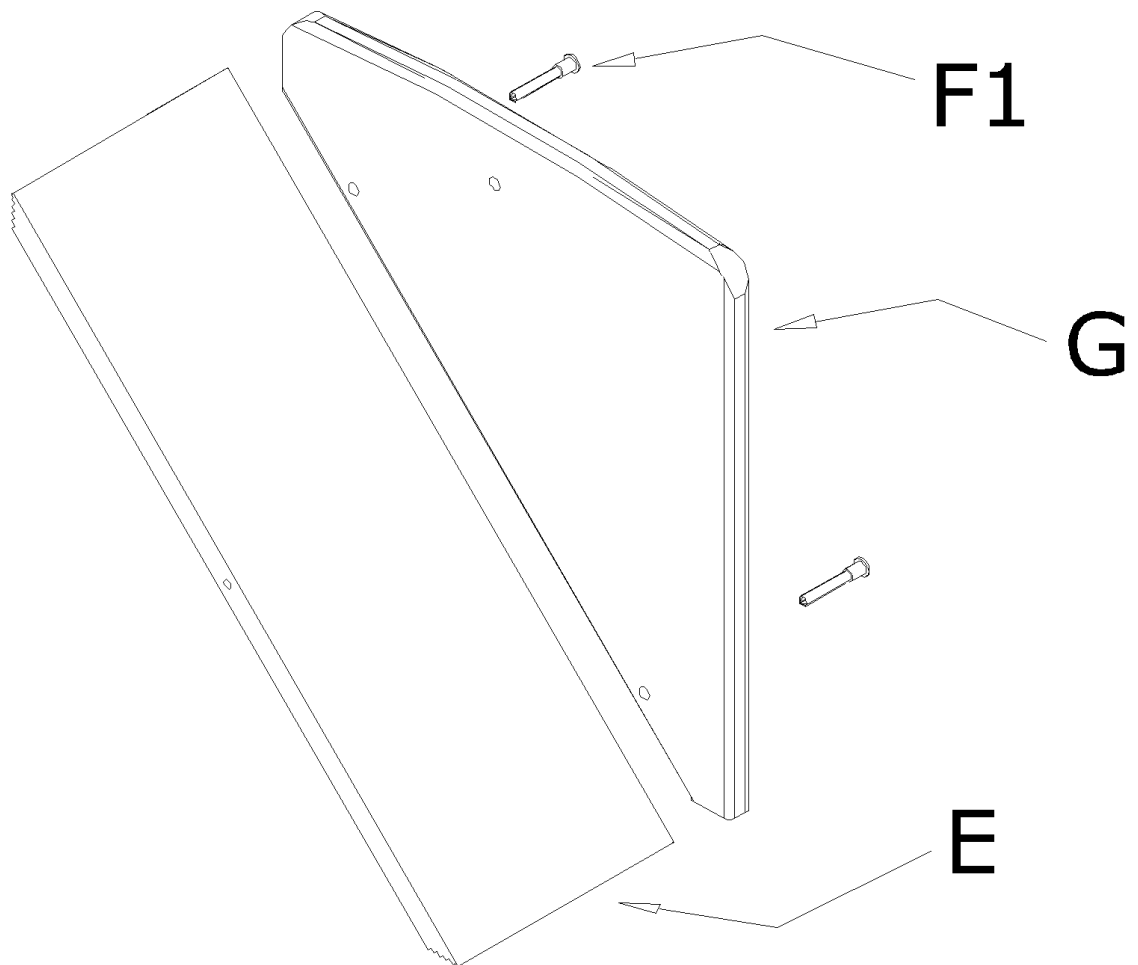
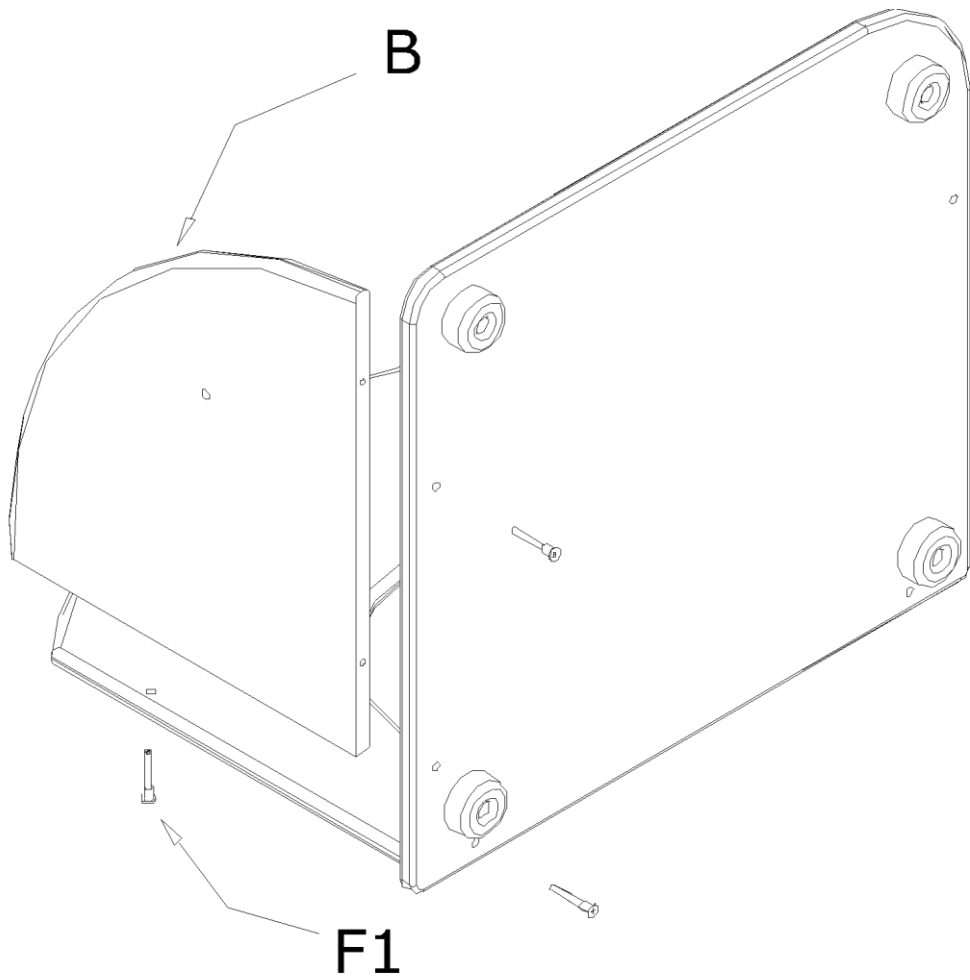
An Adult Should **ALWAYS SUPERVISE PLAY!**

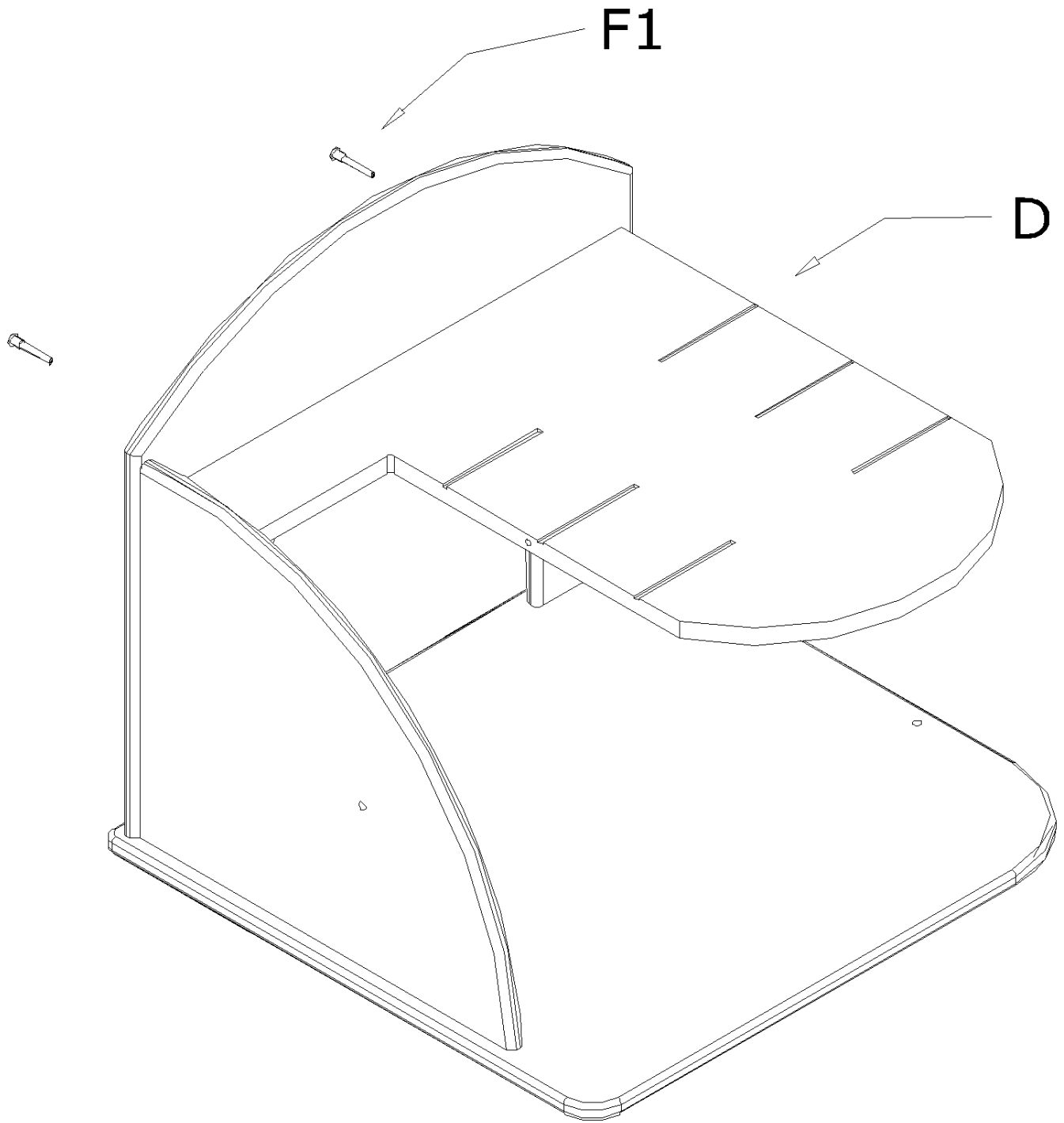
This unit is designed for use on a flat level surface. Please retain our address for future reference

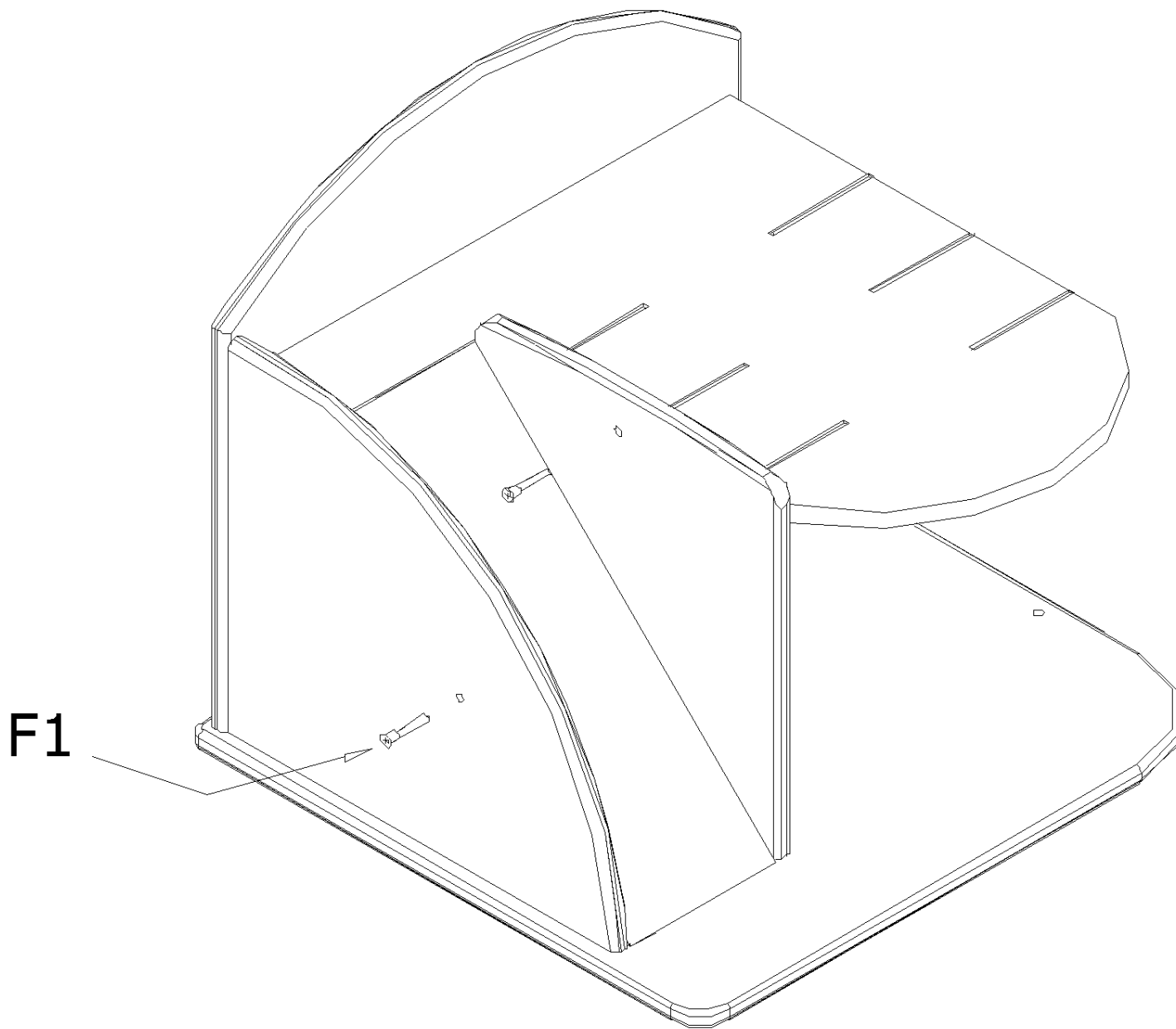


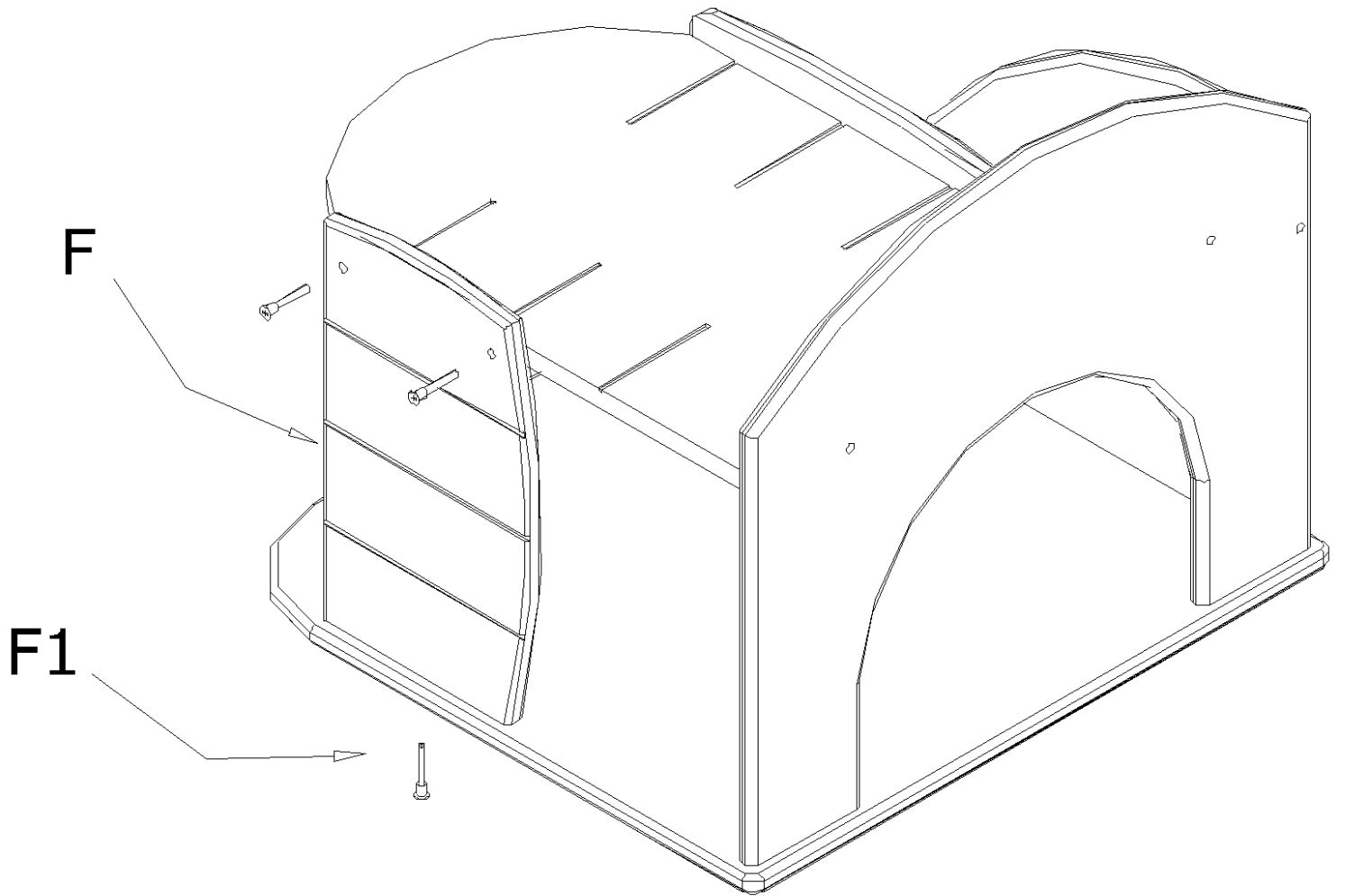
Manufactured by:  
Mike Miller Associates Ltd.,  
Syke Road, Wigton. Cumbria CA7 9NS  
Tel: 016973 49774/45300 Fax: 016973 45511  
Email: [info@twoey.co.uk](mailto:info@twoey.co.uk)  
Website: [www.twoeytoys.com](http://www.twoeytoys.com)  
Registered in England No: 1425839  
Registered Office: The Old Brewery, Caldbeck.  
Cumbria CA7 8EW

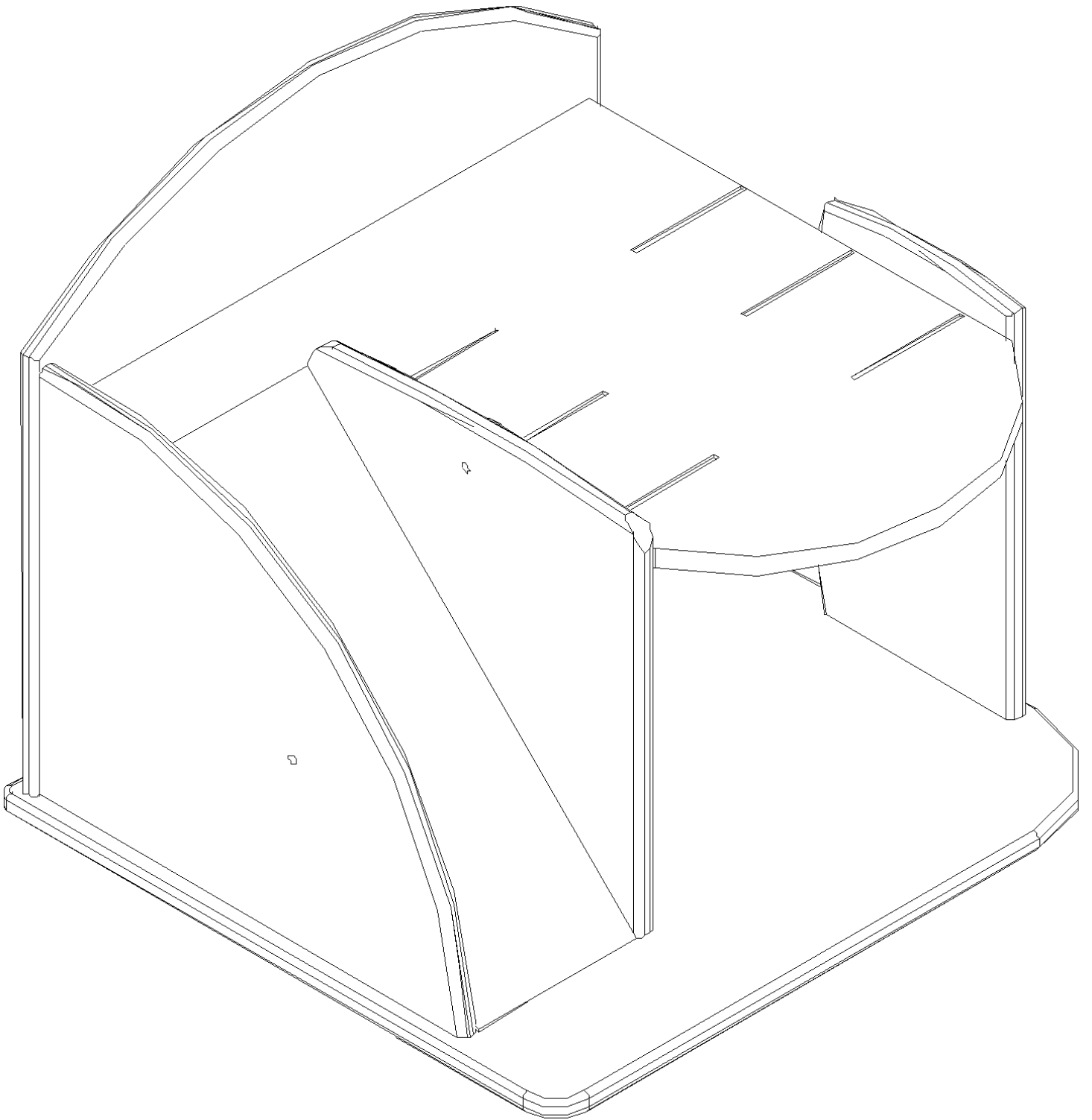






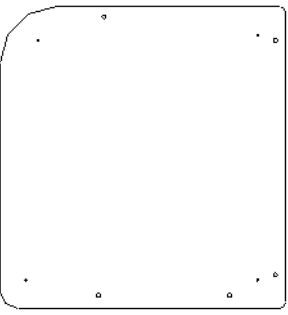




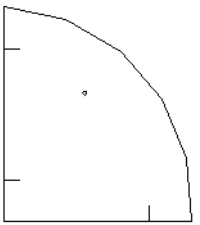


# 0020 - INDOOR GARAGE (CS0000) COMPONENTS LIST

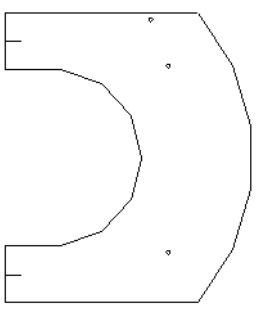
Assembly  
Instructions



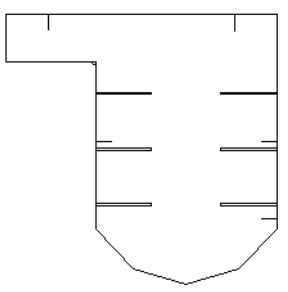
A  
PN: 0020101  
QTY 1



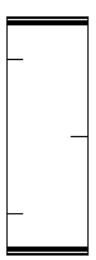
B  
PN: 0020201  
QTY 1



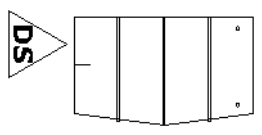
C  
PN: 0020301  
QTY 1



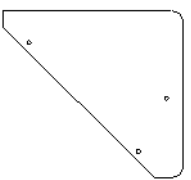
D  
PN: 0020401  
QTY 1



E  
PN: 0020501  
QTY 1



F  
PN: 0020601  
QTY 1



G  
PN: 0020701  
QTY 1

**KIT LIST**  
(SOME EXTRA'S INCLUDED)

|  |   |   |   |
|--|---|---|---|
|  |  |  |  |
| F1<br>SUPERJOINER<br>PN: FS6338SW4<br>QTY 16                                       | F2<br>SCREW CSK HD<br>No.6 x 3/4"<br>PN: FS63/4C<br>QTY 4                           | F3<br>CIRCULAR GLIDE 4520<br>PN: APGLD4520<br>QTY 4                                 | ALLEN KEY<br>PN: AMSW4<br>QTY 1   |