

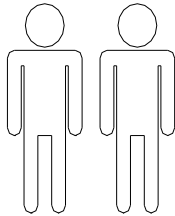
**0240
MINI BENCH SEAT**



Assembly Instructions.

Please read these instructions carefully before assembling the unit and where necessary refer to the enclosed Component List.

Adults Required For Assembly.



Maintenance.

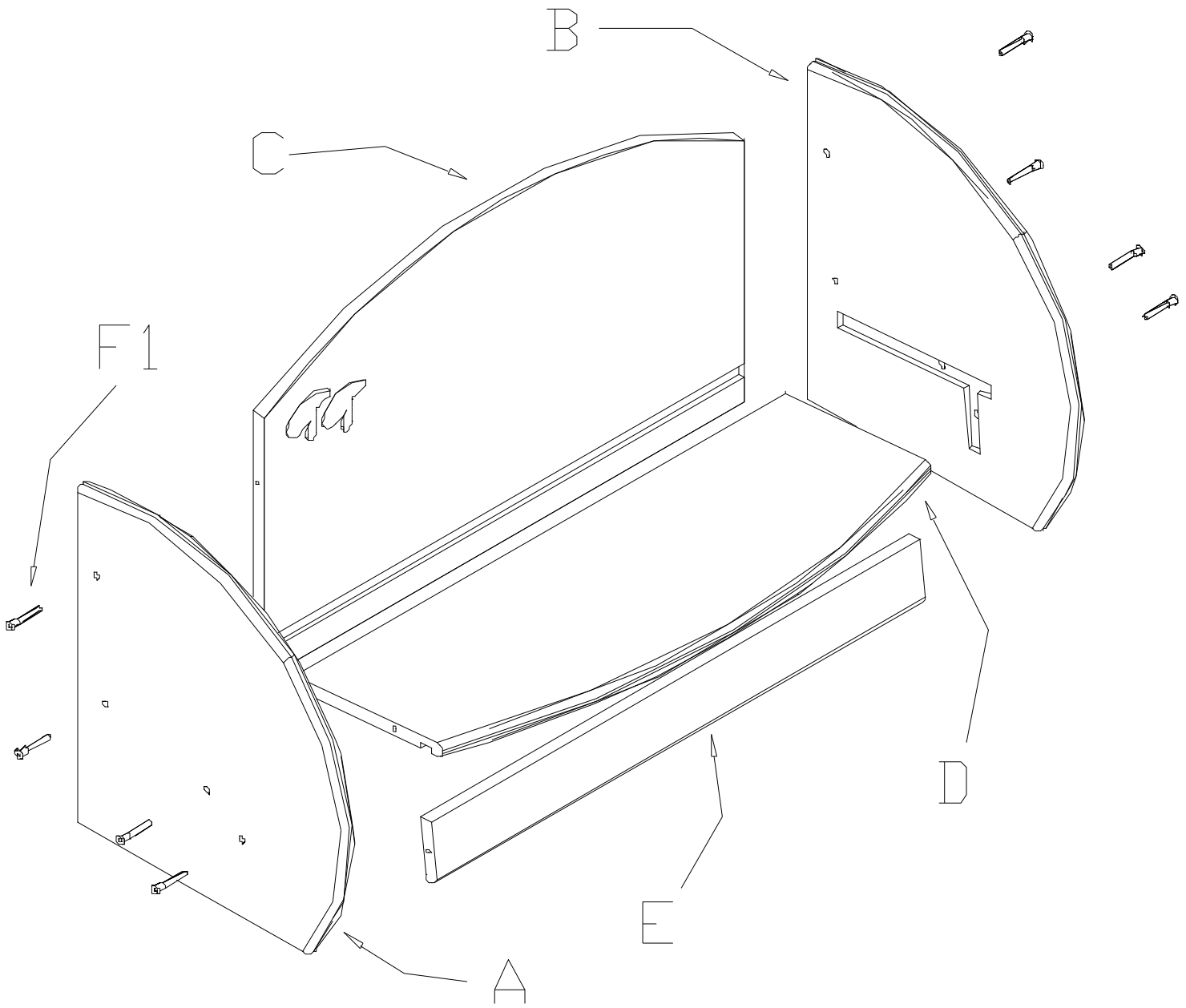
Some residual dust from the manufacturing process may be apparent. Your unit may be cleaned with a damp cloth. Stubborn marks may be removed with a mild detergent or Non-abrasive cream cleaner. Examine all fasteners periodically and retighten where necessary. Care must be taken not to over tighten the fasteners.

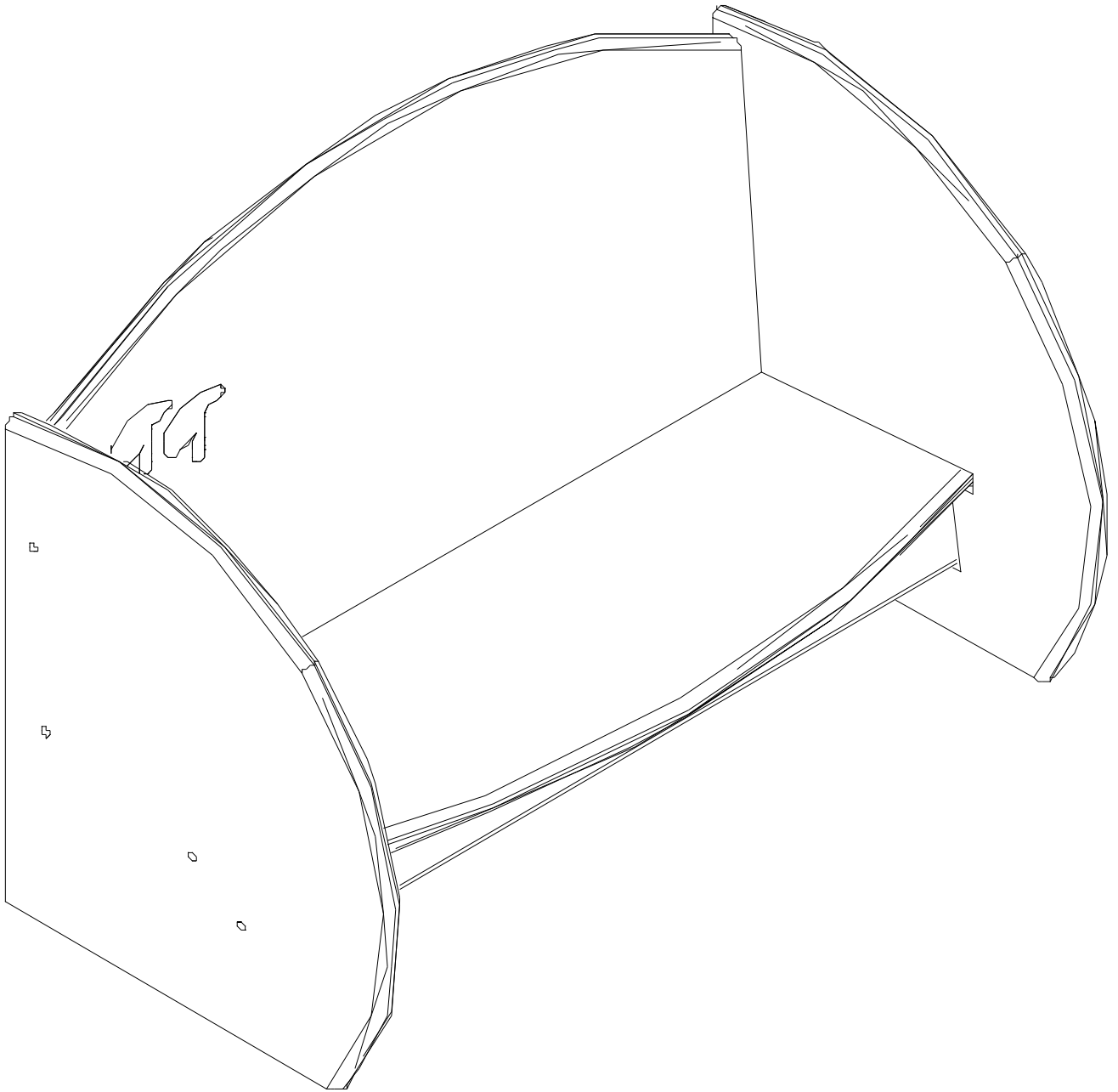
This unit is designed for use indoors on a flat level surface.

An Adult Should **ALWAYS SUPERVISE PLAY!**

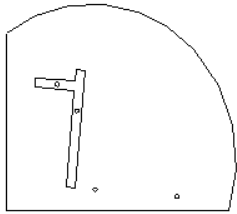
Please retain our address for future reference

Manufactured by:
Mike Miller Associates Ltd.,
Syke Road, Wigton. Cumbria CA7 9NS
Tel: 016973 49774/45300 Fax: 016973 45511
Email: info@twoey.co.uk
Website: www.twoeytoys.com
Registered in England No: 1425839
Registered Office: The Old Brewery, Caldbeck.
Cumbria CA7 8EW

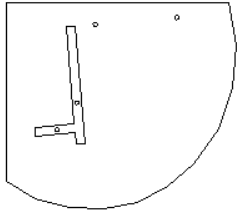




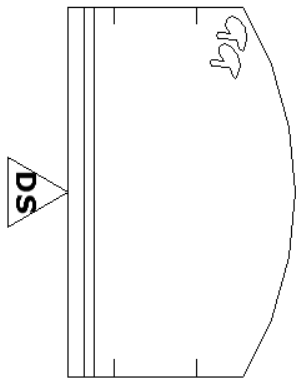
0240 - MINI BENCH SEAT (CS0608) COMPONENTS LIST



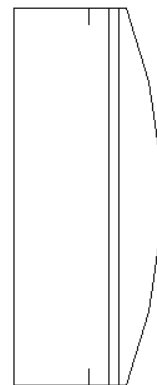
A
PN: 0240201
QTY 1



B
PN: 0240301
QTY 1



C
PN: 0240101
QTY 1

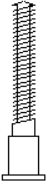
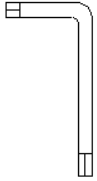


D
PN: 0240401
QTY 1



E
PN: 0240501
QTY 1

**ASSEMBLY
INSTRUCTIONS**

KIT LIST	
	
<p>F1 SUPERJOINER PN: FS6338SW4 QTY 8</p>	<p>F2 ALLEN KEY PN: AMSW4 QTY 1</p>