

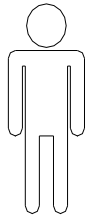
**0280
MINI SHELF WITH
MIRRORS**



Assembly Instructions.

Please read these instructions carefully before assembling the unit and where necessary refer to the enclosed Component List.

Adults Required For Assembly.



Maintenance.

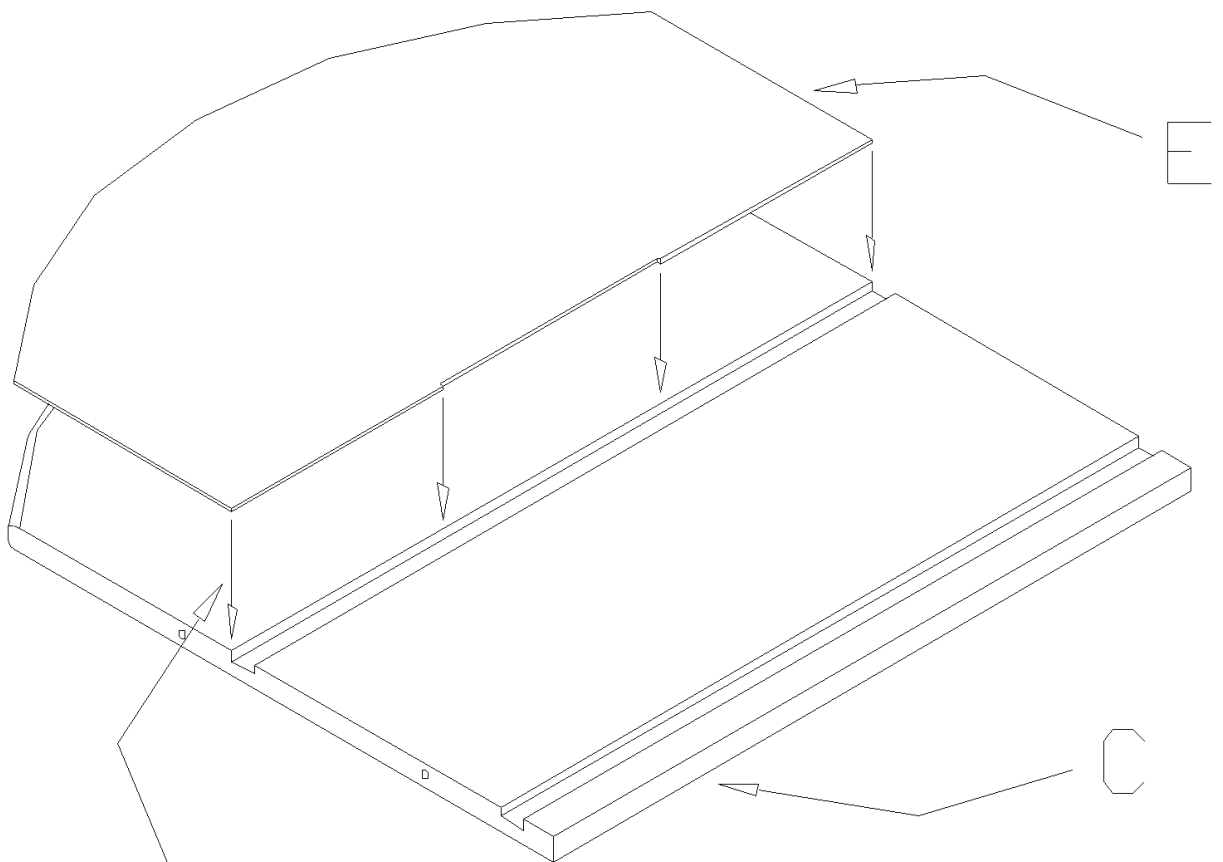
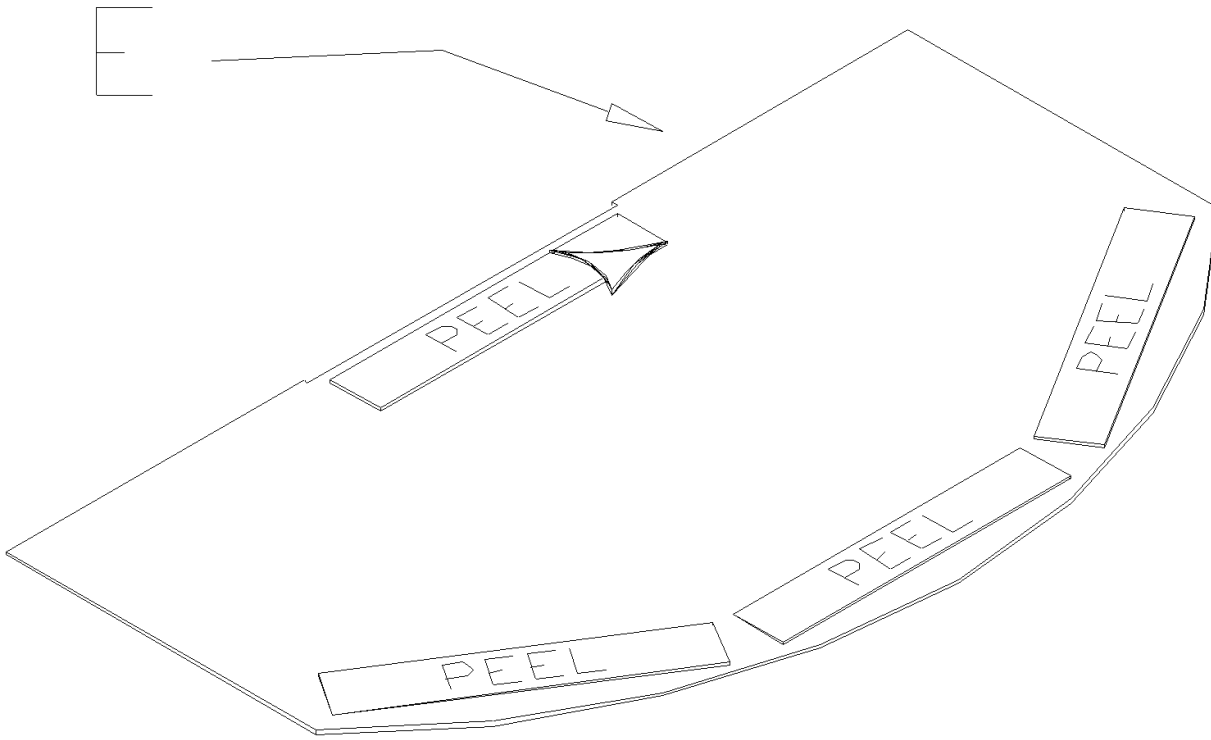
Your unit may be cleaned with a damp cloth; stubborn marks may be removed with a mild detergent or non-abrasive cream cleaner. Examine all fasteners periodically and retighten where necessary. Care must be taken not to over tighten the fasteners.

This unit is designed for use indoors on a flat level surface.

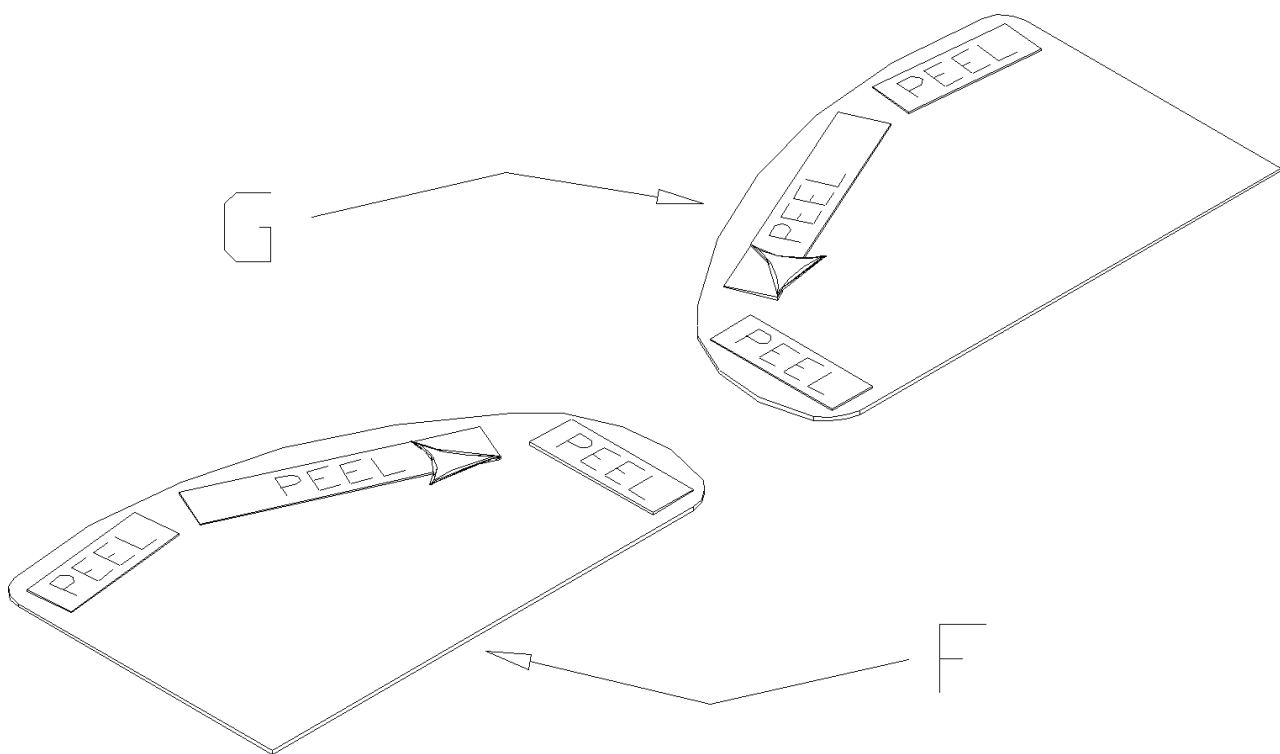
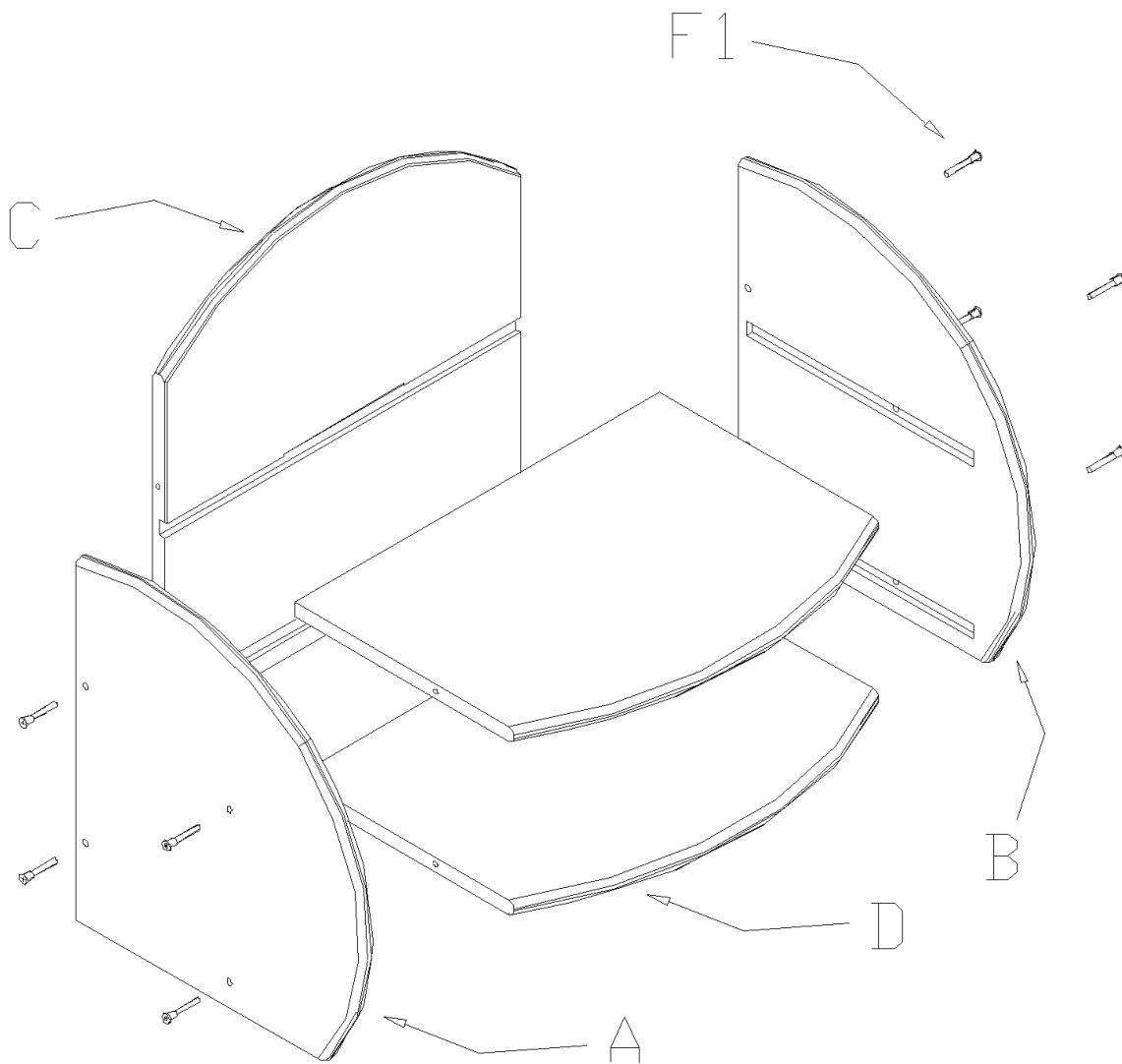
An Adult Should **ALWAYS SUPERVISE PLAY!**

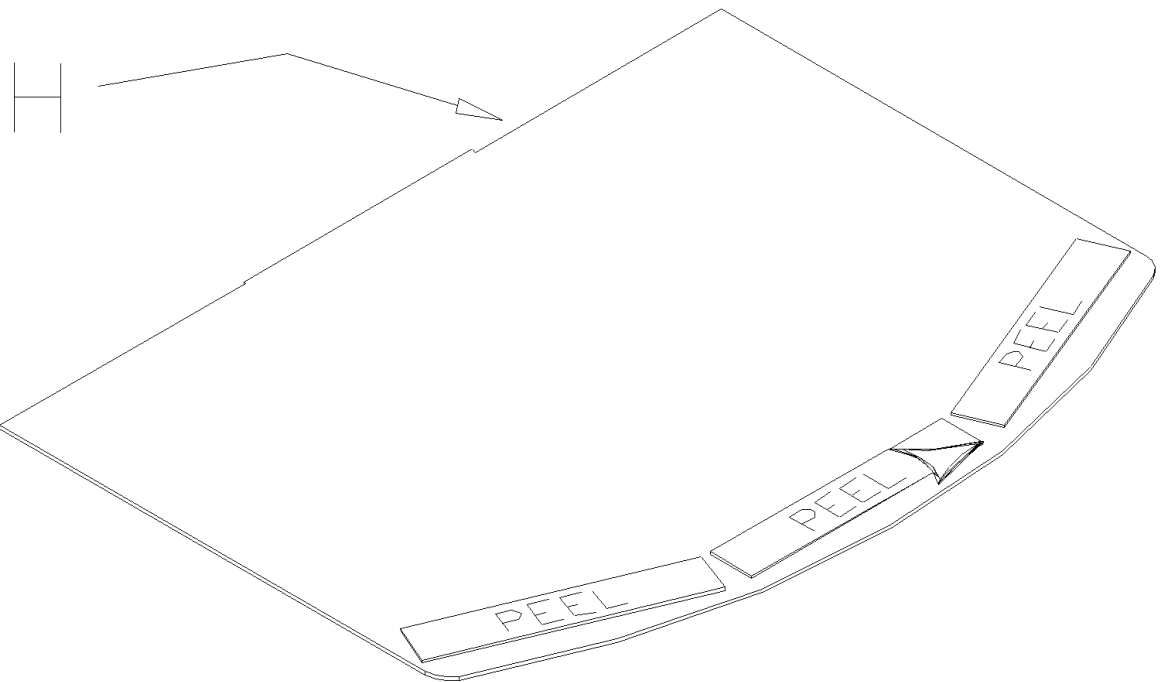
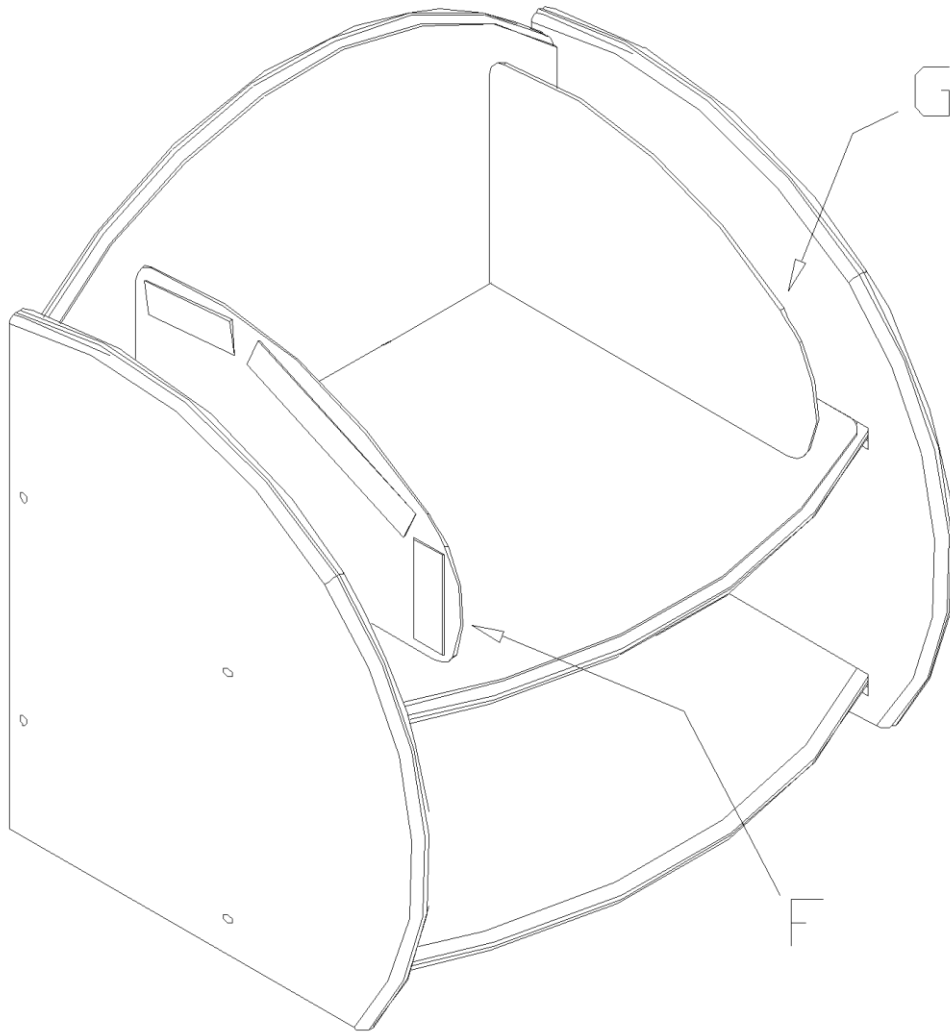
Please retain our address for future reference

Manufactured by:
Mike Miller Associates Ltd.,
Syke Road, Wigton. Cumbria CA7 9NS
Tel: 016973 49774/45300 Fax: 016973 45511
Email: info@twoey.co.uk
Website: www.twoeytoys.com
Registered in England No: 1425839
Registered Office: The Old Brewery, Caldbeck.
Cumbria CA7 8EW

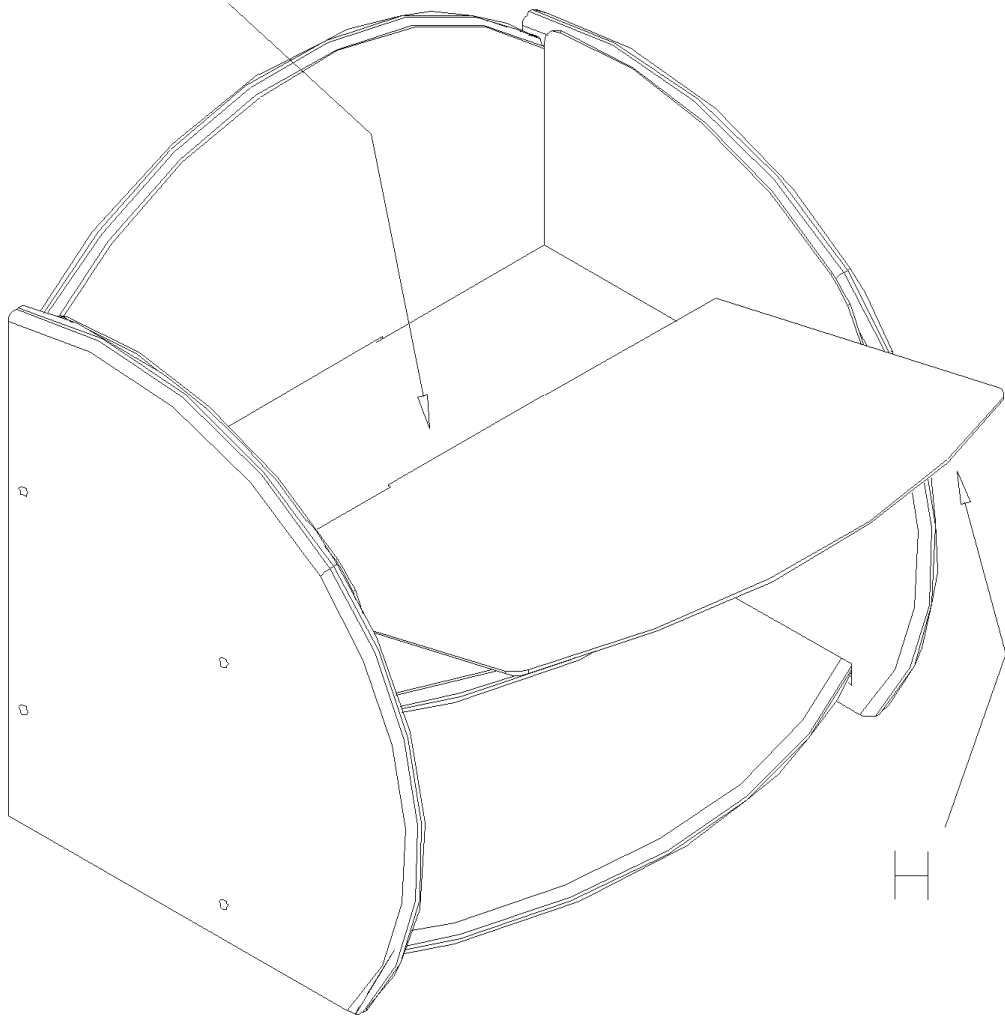


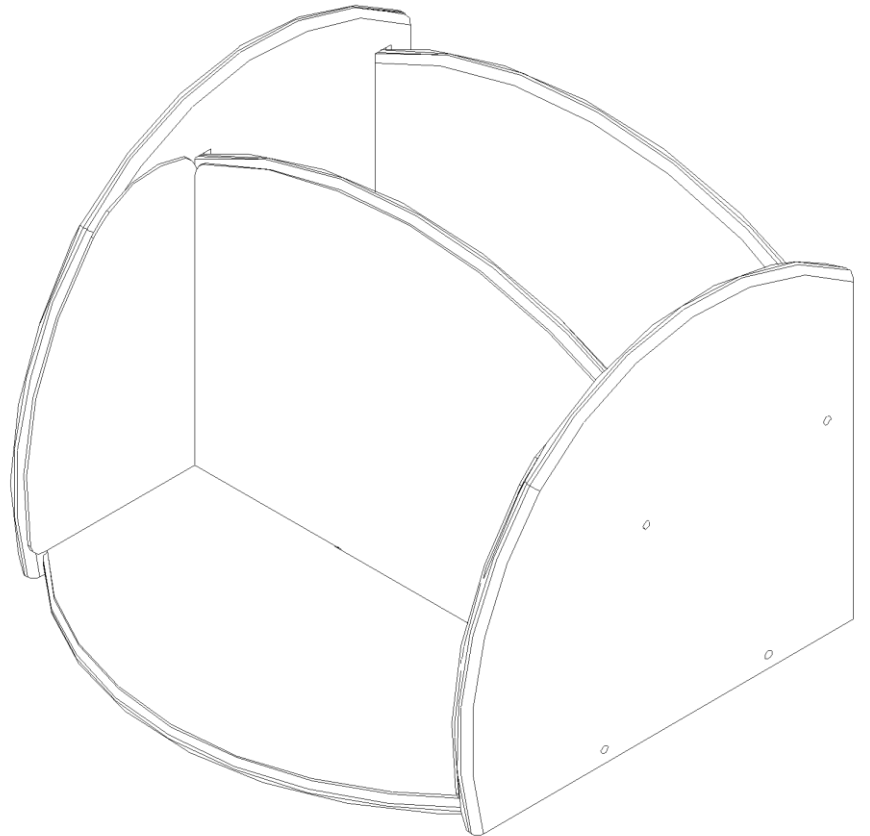
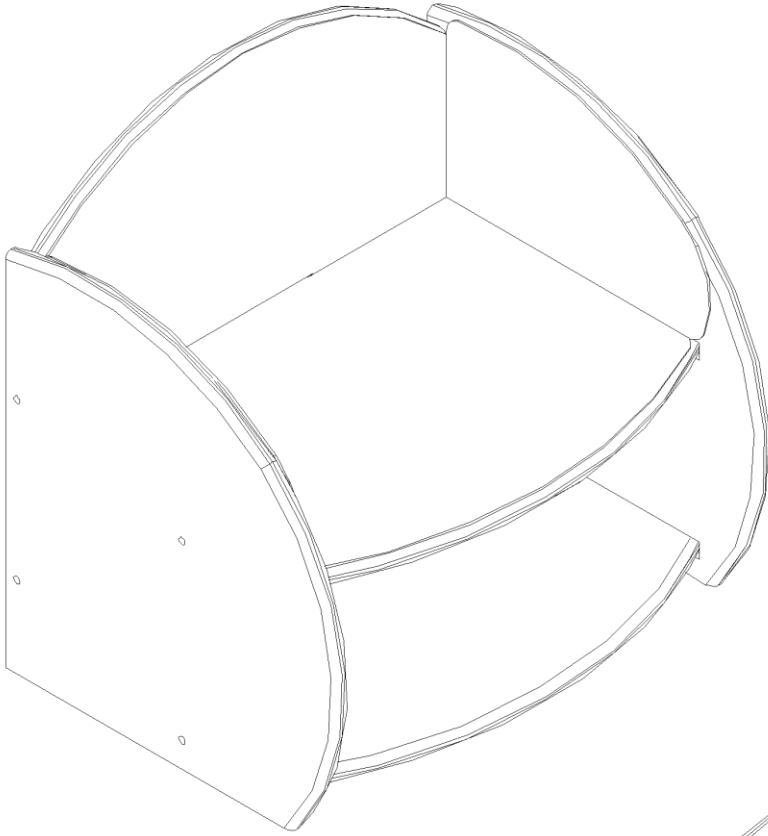
LINE UP
THEN STICK DOWN



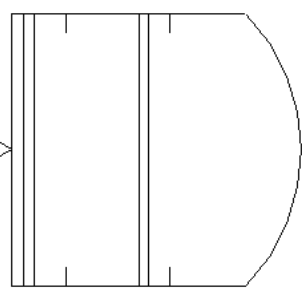


LOCATE TAB AT BACK
THEN STICK DOWN FRONT

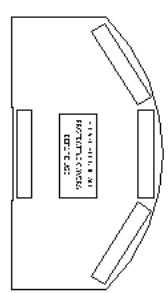




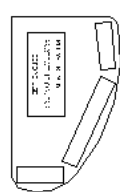
0280 - MINI SHELF WITH MIRRORS (CS0723) COMPONENTS LIST



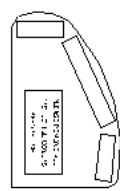
C
PN: 0280102
QTY 1



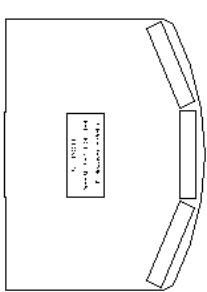
E
PN: 028HW01
QTY 1



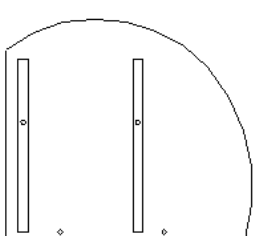
F
PN: 028HW02
QTY 1



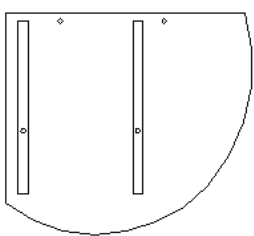
G
PN: 028HW03
QTY 1



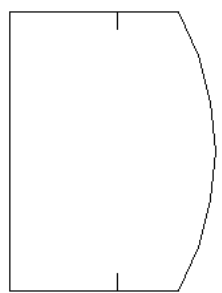
H
PN: 028HW04
QTY 1



A
PN: 0280601
QTY 1



B
PN: 0280501
QTY 1



D
PN: 0280701
QTY 2

KIT LIST

F1
SUPERJOINER
PN: FS6338SW4
QTY 8

F2
ALLEN KEY
PN: AMSW4
QTY 1