

0770
BOOKCASE LECTERN
PUPITRE DE LECTURE
FA-92633



This part is supplied as an accessory for the following range of Bookcases

Cet article est fourni comme extra pour la gamme de bibliothèques suivantes

0780 – 0790 – 0850 – 0860 – 0870 – 0880

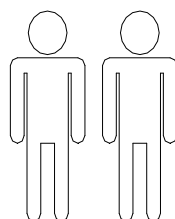
Assembly Instructions.

Please read these instructions carefully before assembling the unit and where necessary refer to the enclosed Component List.

Additional Tools Required.

NONE

Adults Required For Assembly.



Maintenance.

Some residual dust from the manufacturing process may be apparent. Your unit may be cleaned with a damp cloth; stubborn marks may be removed with a mild detergent or non-abrasive cream cleaner. Examine all fasteners periodically and retighten where necessary. Care must be taken not to over tighten the fasteners.

This unit is designed for use indoors on a flat level surface.

An Adult Should **ALWAYS SUPERVISE PLAY!**

Please retain our address for future reference

Manufactured by:
Mike Miller Associates Ltd.,
Syke Road, Wigton. Cumbria CA7 9NS
Tel: 016973 49774/45300 Fax: 016973 45511
Email: info@twoeytoys.com
Website: www.twoeytoys.com
Registered in England No: 1425839
Registered Office: The Old Brewery, Caldbeck.
Cumbria CA7 8EW

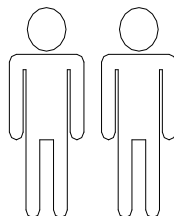
Mode D'emploi Pour Assemblage.

Lisez attentivement ce mode d'emploi avant de commencer l'assemblage de cet article et reportez-vous a la liste des composants ci-jointe.

Outils Supplémentaires Nécessaires.

NONE

Assemblage Reserve Pour Adultes



Entretien.

Un détergent léger ou une crème non-abrasive peuvent être utilisés pour nettoyer les taches persistantes. Vérifiez régulièrement les attaches et resserrez si nécessaire. Attention de ne pas trop serrer les fermetures.

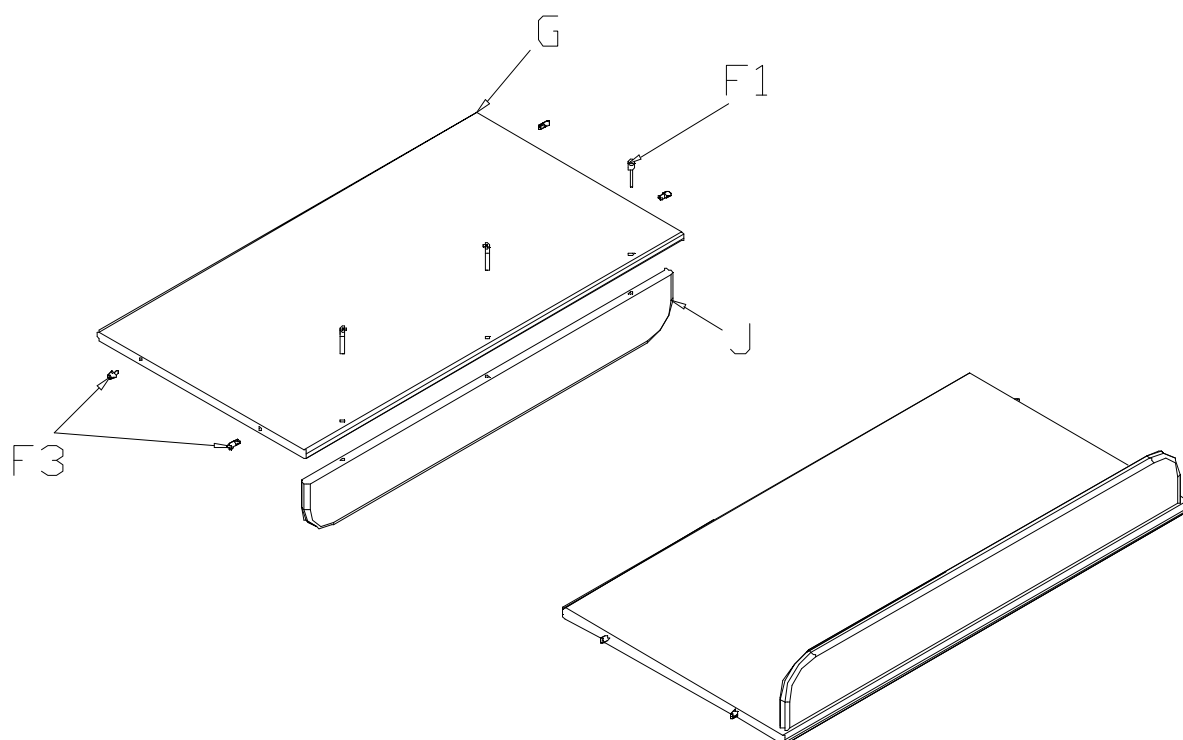
Utilisez cet article seulement a l'intérieur sur une surface plat

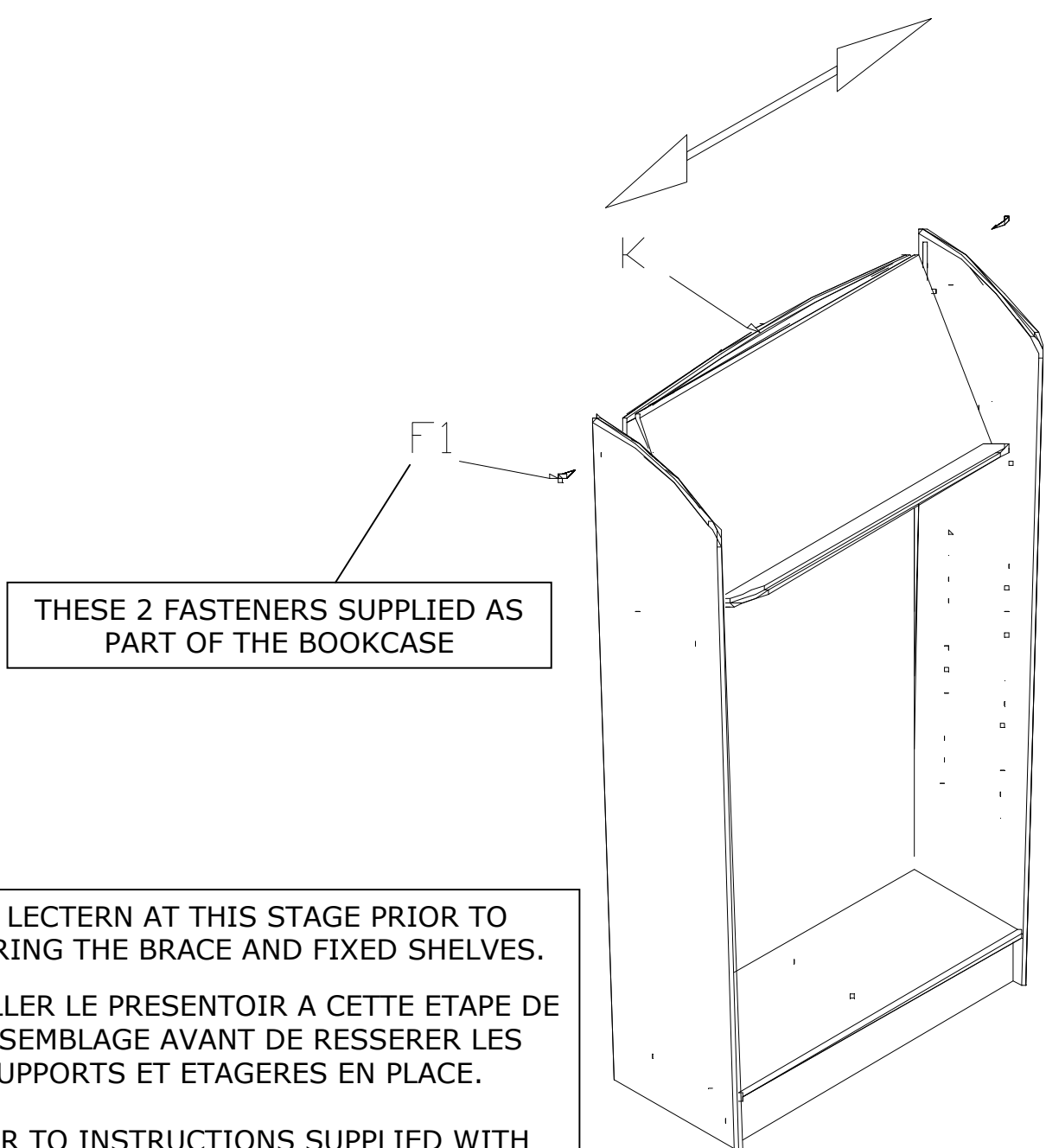
Un adulte doit toujours surveiller jouer

Conservez nos coordonnées pour obtenir tous renseignements complémentaires a l'avenir.

LECTERN PRE-ASSEMBLY

PREPARATION POUR ASSEMBLAGE D'UN CHEVALET (PRESENTOIR)



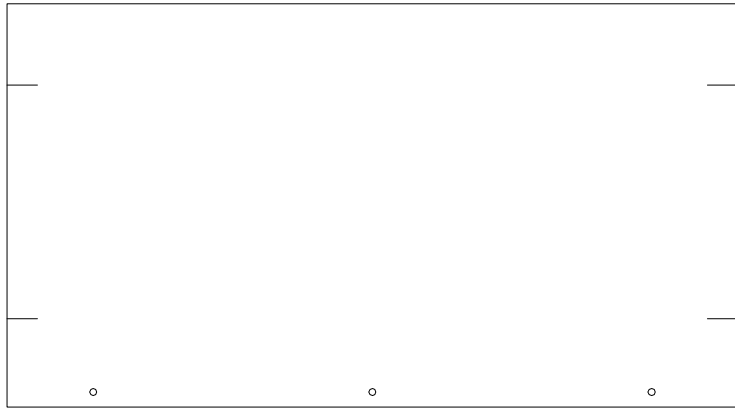


THESE 2 FASTENERS SUPPLIED AS
PART OF THE BOOKCASE

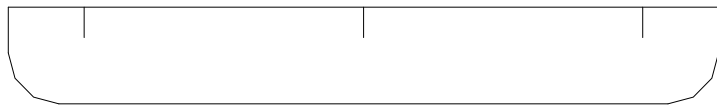
FIT LECTERN AT THIS STAGE PRIOR TO
SECURING THE BRACE AND FIXED SHELVES.
INSTALLER LE PRESENTOIR A CETTE ETAPE DE
L'ASSEMBLAGE AVANT DE RESSERER LES
SUPPORTS ET ETAGERES EN PLACE.
REFER TO INSTRUCTIONS SUPPLIED WITH
BOOKCASES FOR OTHER ASSEMBLY.
SE REPORTER AUX MODES D'EMPLOI FOURNIS
AVEC LES BIBLIOTHEQUES
POUR LES RESTE DE L'ASSEMBLAGE.

SINGLE SIDED BOOKCASE SHOWN FOR
ILLUSTRATION ONLY
BIBLIOTHEQUE A COTE UNIQUE ILLUSTRÉE
SEULEMENT COMME EXEMPLE

0770 - BOOKCASE LECTERN
COMPONENTS LIST (CS0569)



G
PN: 0770101
QTY 1



J
PN: 0770202
QTY 1

KIT

A technical drawing of a threaded fastener, labeled F1. It has a wide flange and a threaded section. The drawing is a simple line drawing with no shading.

F1
SUPERJOINER
PN: FS6338SW4
QTY 3

A technical drawing of a small cylindrical fastener, labeled F3. It has a small diameter and a slightly wider head. The drawing is a simple line drawing with no shading.

F3
SHELF SUPPORT
PN: A0SHELF02
QTY 4

A technical drawing of an Allen key, labeled ALLEN KEY. It has a long handle and a hexagonal end. The drawing is a simple line drawing with no shading.

ALLEN KEY
PN: AMSW4
QTY 1