

**2850
MINI SHELF UNIT**

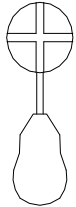


Educational Resources

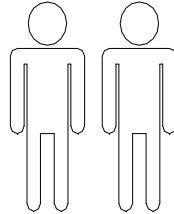
Assembly Instructions.

Please read these instructions carefully before assembling the unit and where necessary refer to the enclosed Component List.

Additional Tools Required.



Adults Required For Assembly.



Maintenance.

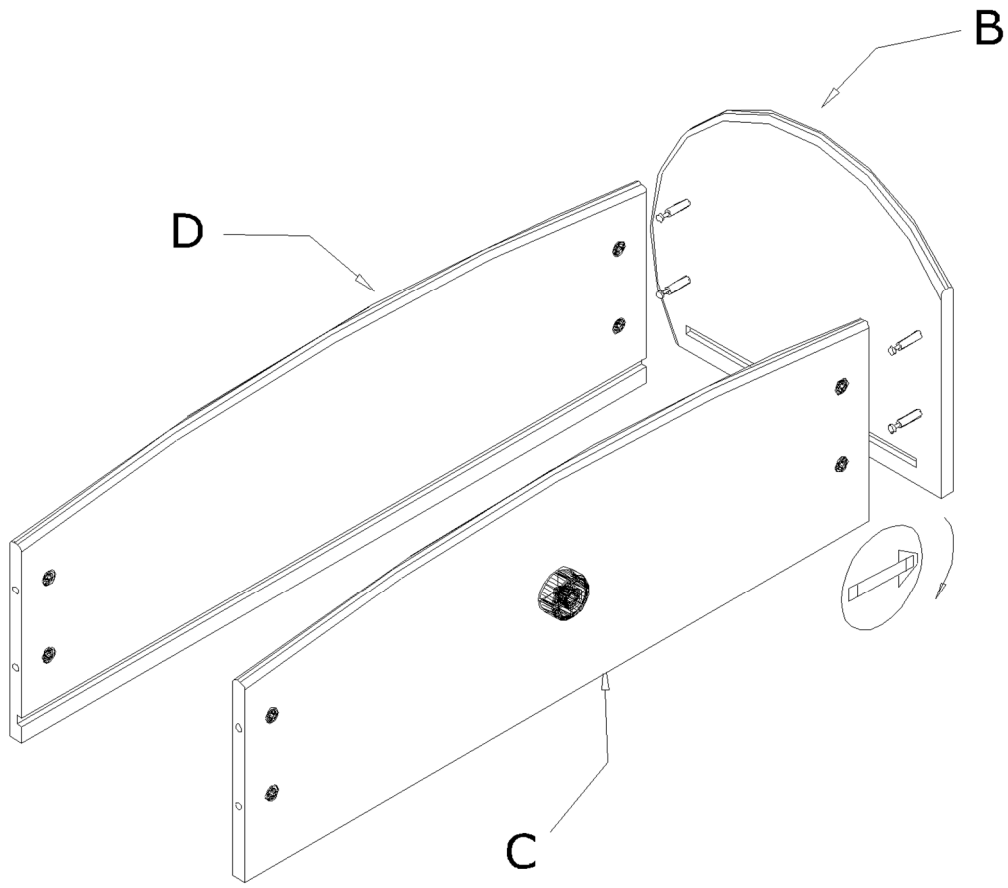
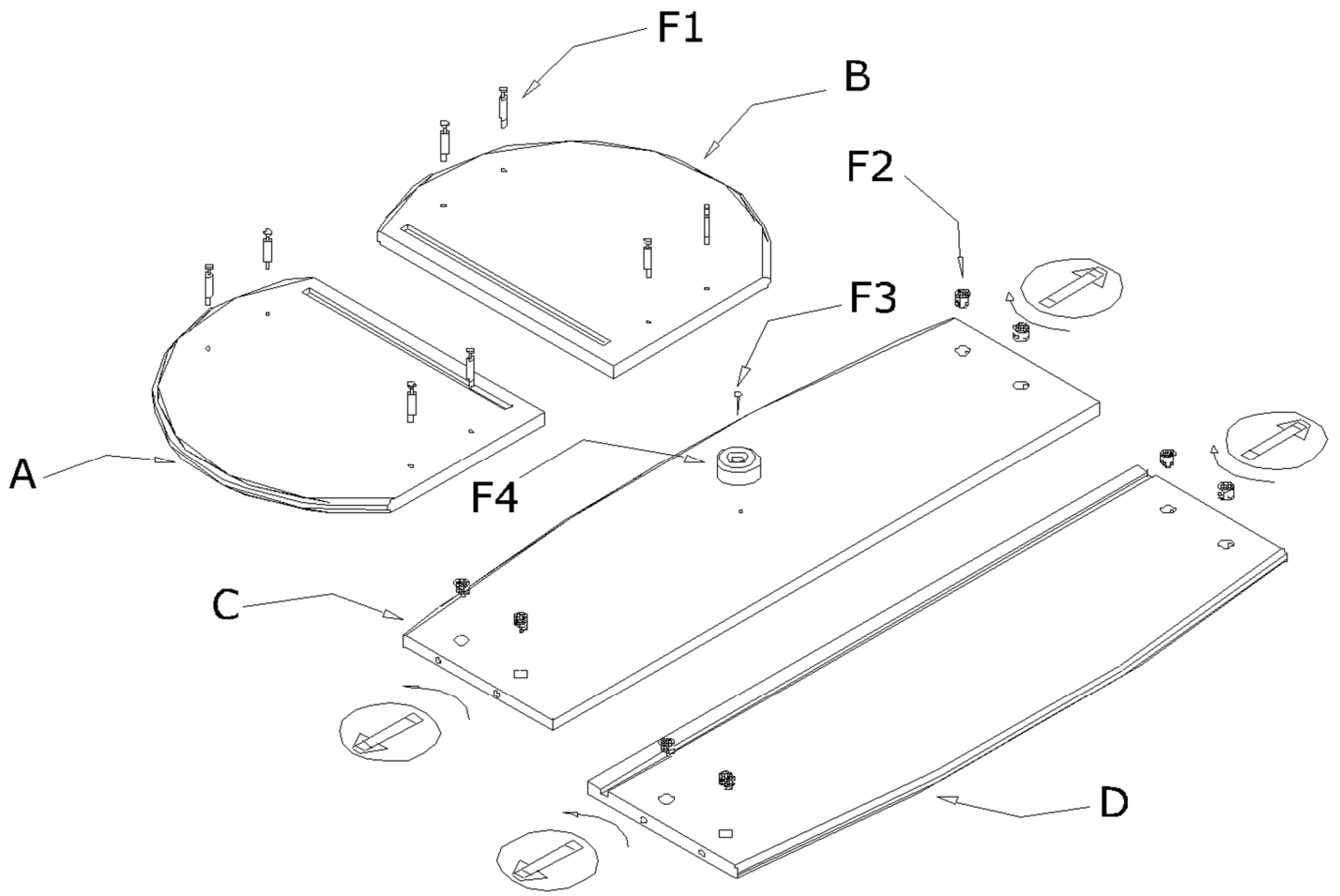
Some residual dust from the manufacturing process may be apparent. Your unit may be cleaned with a damp cloth. Stubborn marks may be removed with a mild detergent or Non-abrasive cream cleaner. Examine all fasteners periodically and retighten where necessary. Care must be taken not to over tighten the fasteners.

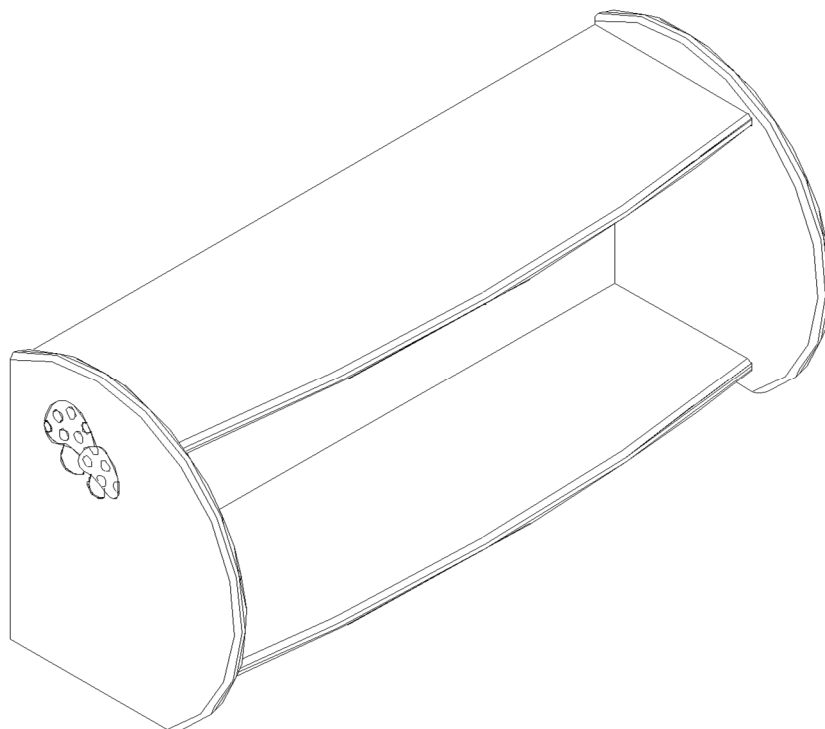
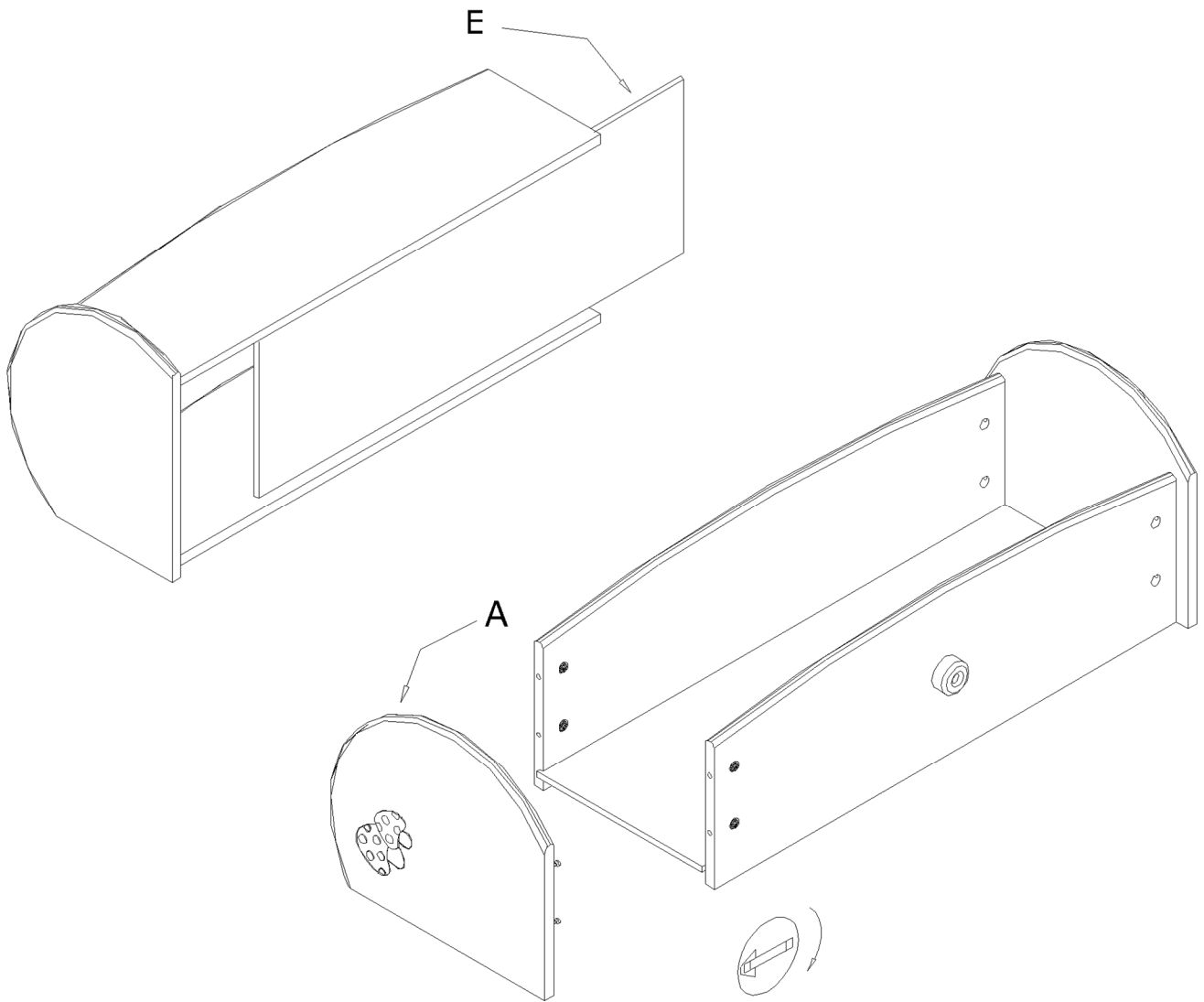
This unit is designed for use indoors on a flat level surface.

An Adult Should **ALWAYS SUPERVISE PLAY!**

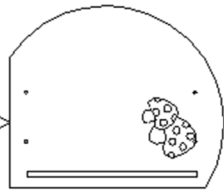
Please retain our address for future reference

Manufactured by:
Mike Miller Associates Ltd.,
Syke Road, Wigton. Cumbria CA7 9NS
Tel: 016973 49774/45300 Fax: 016973 45511
Email: info@twoeytoys.com
Website: www.twoeytoys.com
Registered in England No: 1425839
Registered Office: The Old Brewery, Caldbeck.
Cumbria CA7 8EW

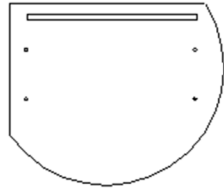




2850 - MINI SHELF UNIT (CS00000) COMPONENTS LIST



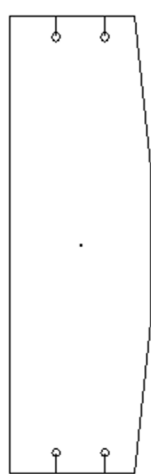
A
PN: 2850101
QTY 1



B
PN: 2850201
QTY 1



C
PN: 2850301
QTY 1



D
PN: 2850401
QTY 1



E
PN: 2850501
QTY 1

KIT	
 F1 MINIFIX BOLT PN: FC3410MINI15 QTY 8	 F2 MINIFIX HOUSING PN: FC15C QTY 8
 F3 SCREW CSK HD No.6 x 3/4" PN: FS63/4C QTY 1	 F4 CIRCULAR GLIDE 4520 PN: APGLD4520 QTY 1