

**4051
Reading Corner Set**



Assembly Instructions.

Please refer to separate instructions supplied with each product.

Additional Tools Required.

Refer to separate instructions

Adults Required For Assembly.

Refer to separate instructions

Maintenance.

Please refer to separate instructions supplied with each product.

These units are designed for use indoors on a flat level surface.

An Adult Should **ALWAYS SUPERVISE PLAY!**

Please retain our address for future reference



Manufactured by:
Mike Miller Associates Ltd.,
Syke Road, Wigton. Cumbria CA7 9NS
Tel: 016973 49774/45300 Fax: 016973 45511
Email: info@twoeytoys.com
Website: www.twoeytoys.com
Registered in England No: 1425839
Registered Office: The Old Brewery, Caldbeck.
Cumbria CA7 8EW

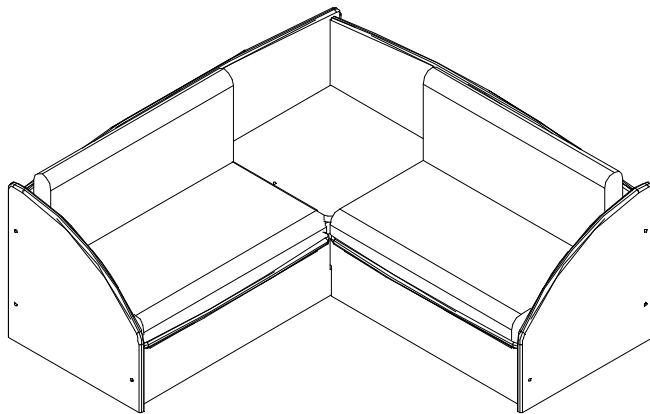
4051 – Reading Corner Set

Comprising: -

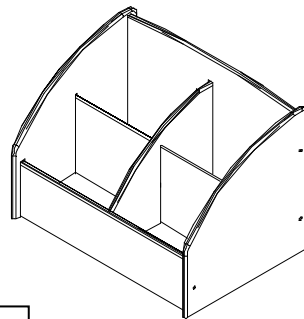
1 x 4050 – Reading Corner Seat

1 x 4090 – Reading Corner Kinderbox

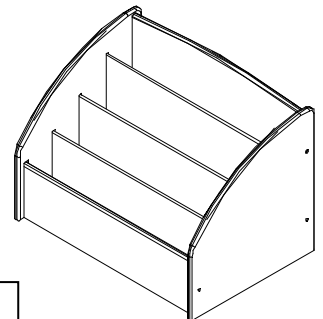
1 x 4100 – Reading Corner Big Book Kinderbox



4050



4090



4100