

**9520
Computer Workstation
and Bench**



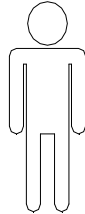
Assembly Instructions.

Please read these instructions carefully before assembling the unit and where necessary refer to the enclosed Component List.

Additional Tools Required.

NONE

Adults Required For Assembly.



Maintenance.

Some residual dust from the manufacturing process may be apparent. Your unit may be cleaned with a damp cloth; stubborn marks may be removed with a mild detergent or non-abrasive cream cleaner. Examine all fasteners periodically and retighten where necessary. Care must be taken not to over tighten the fasteners.

NOTE: DO NOT MOVE THIS UNIT WITH EQUIPMENT IN PLACE

This unit is designed for use indoors on a flat level surface.

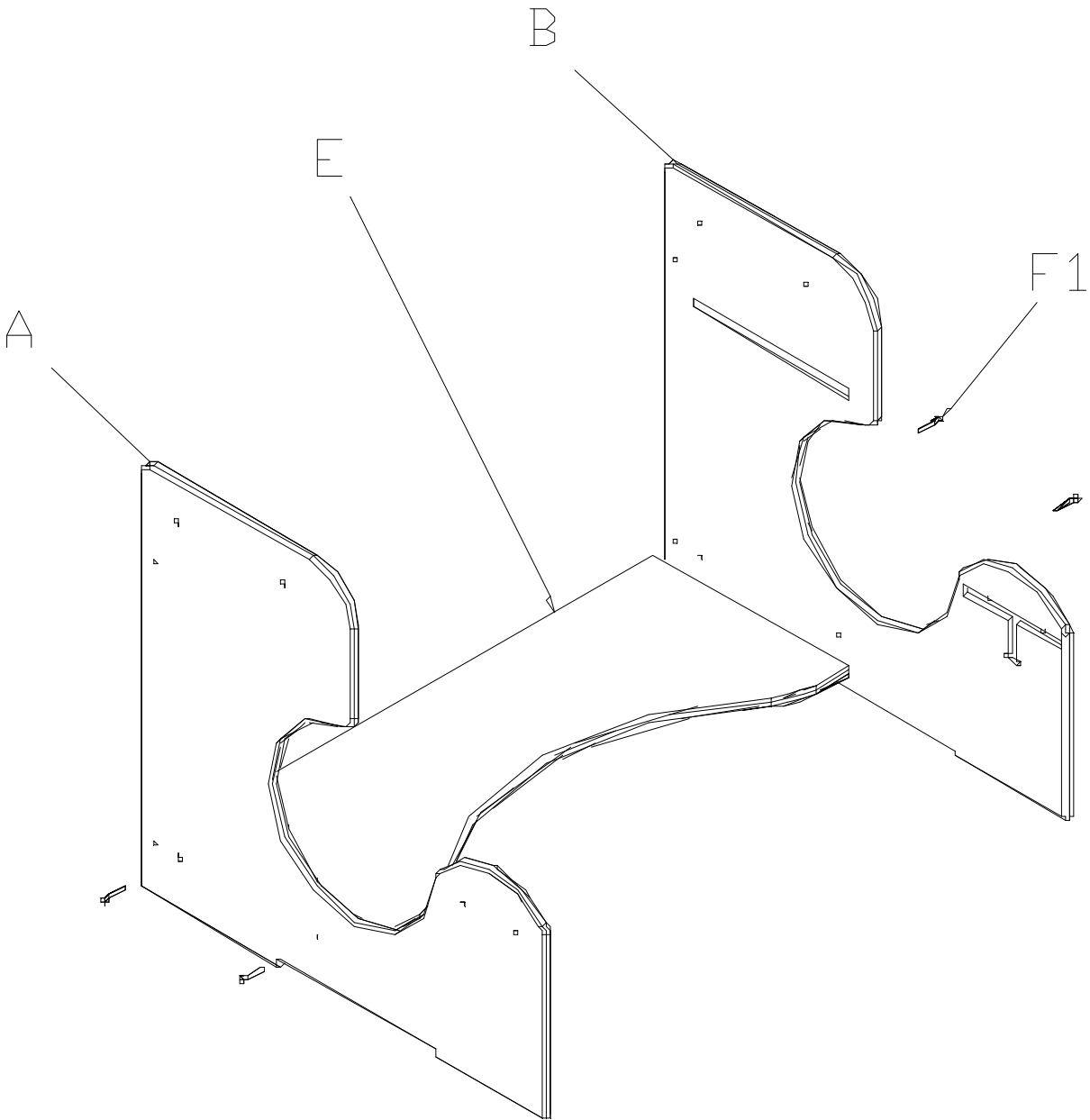
An Adult Should **ALWAYS SUPERVISE PLAY!**

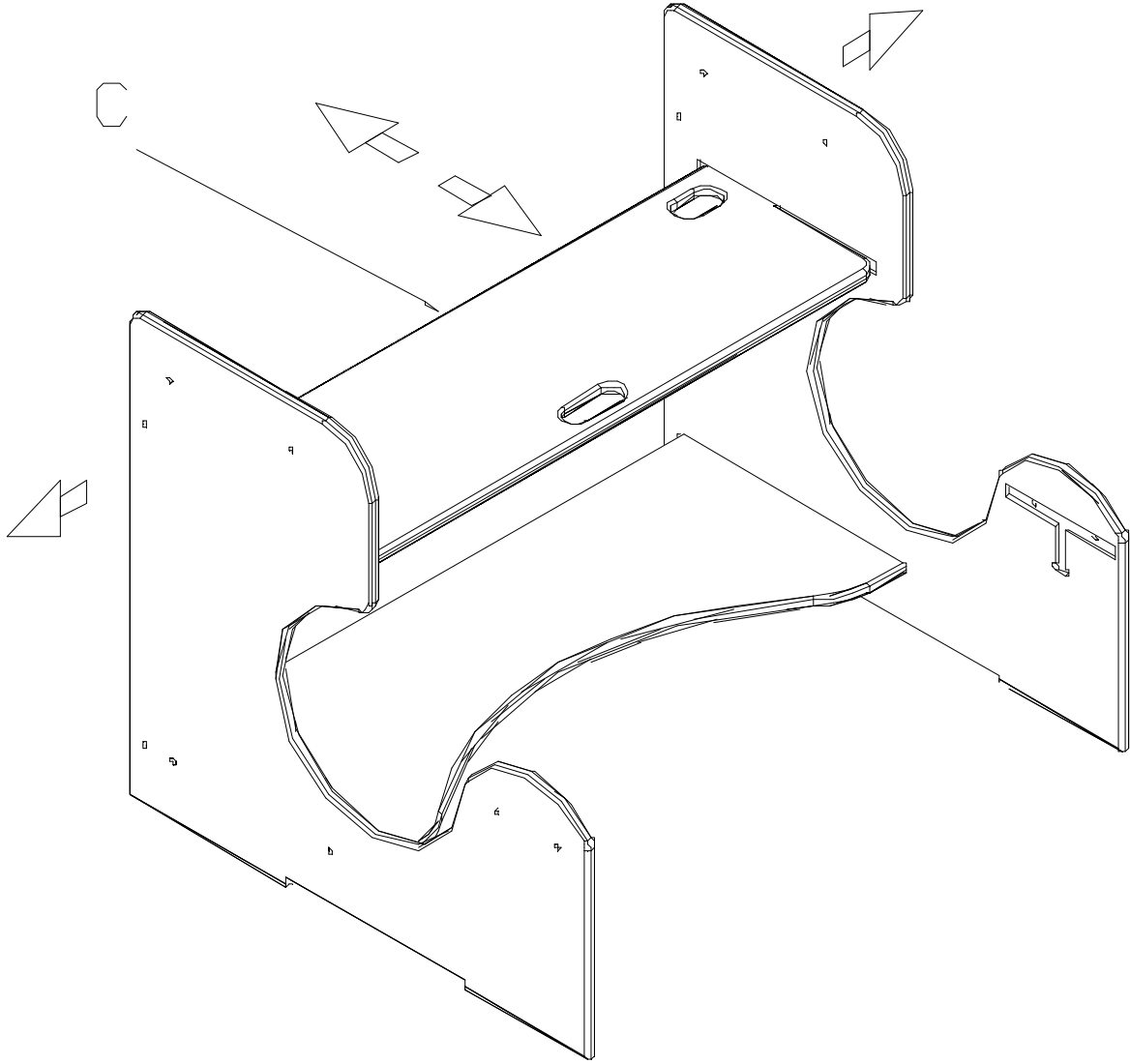
Please retain our address for future reference

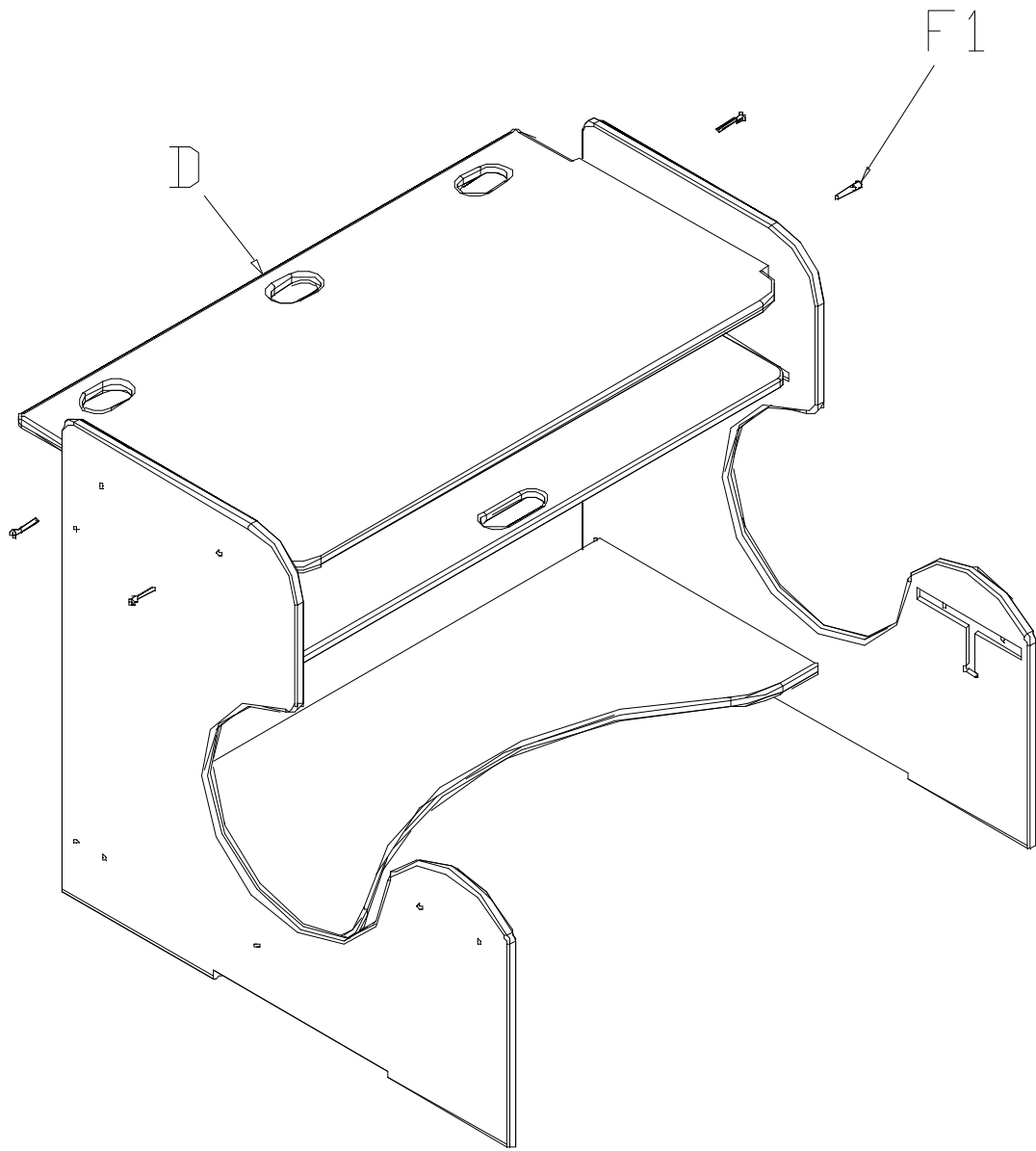


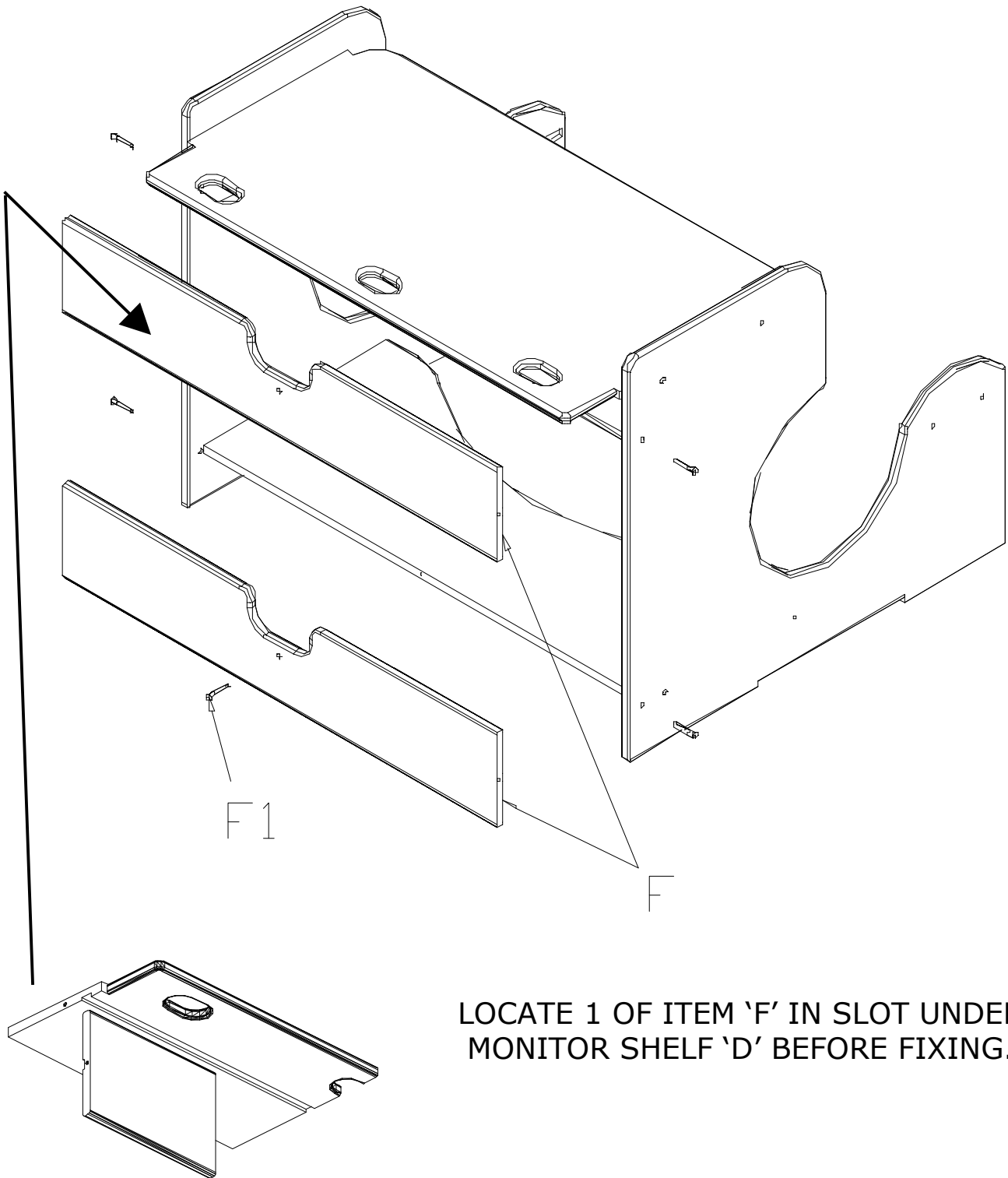
Manufactured by:
Mike Miller Associates Ltd.,
Syke Road, Wigton. Cumbria CA7 9NS
Tel: 016973 49774/45300 Fax: 016973 45511
Email: info@twoeytoys.com
Website: www.twoeytoys.com
Registered in England No: 1425839
Registered Office: The Old Brewery, Caldbeck.
Cumbria CA7 8EW

DO NOT COMPLETELY TIGHTEN SCREWS (F1)
UNTIL ALL THE PARTS HAVE BEEN ASSEMBLED



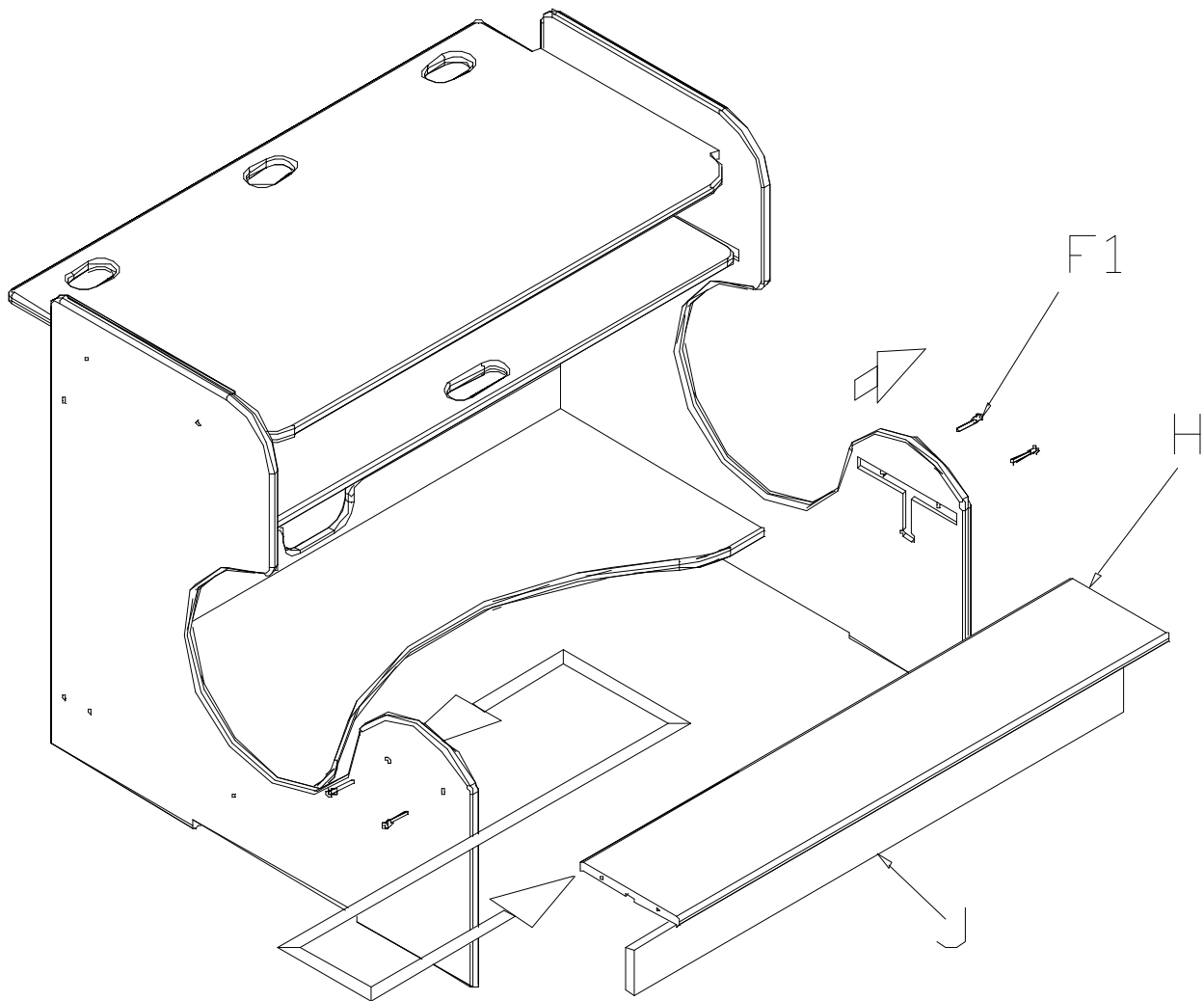






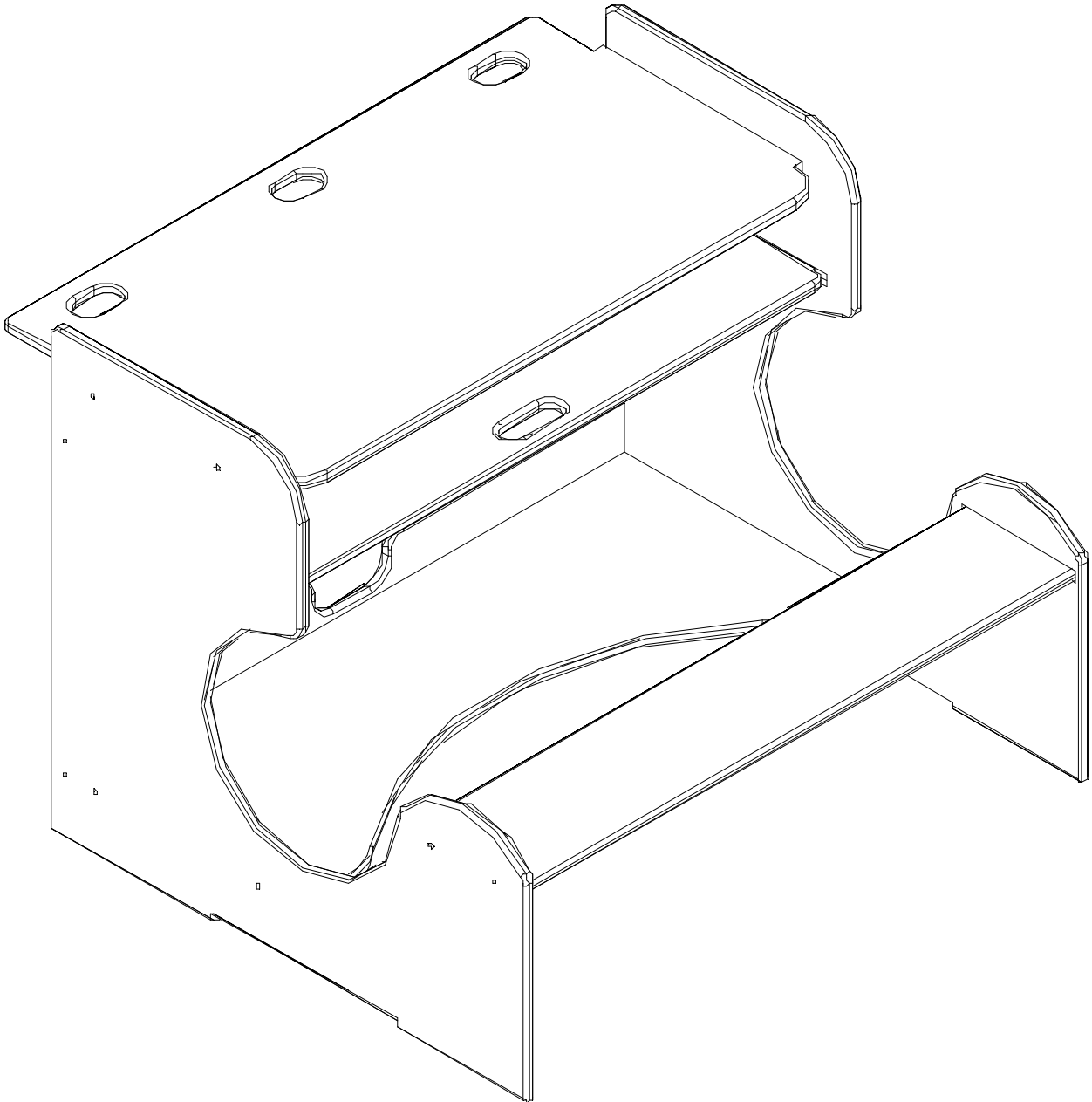
LOCATE 1 OF ITEM 'F' IN SLOT UNDER
MONITOR SHELF 'D' BEFORE FIXING.

VIEW FROM BELOW

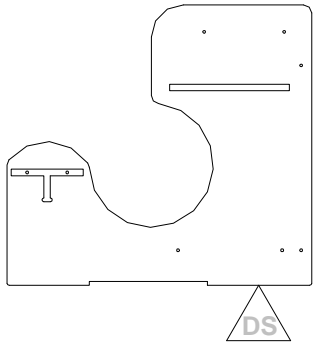


NOTE: TIGHTEN ALL SCREWS FULLY BEFORE USING THE UNIT

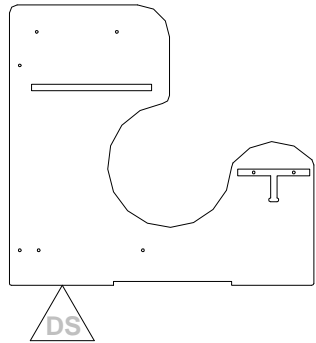
The Computer Workstation and Bench



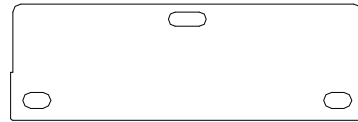
9520 - COMPUTER WORKSTATION AND BENCH (CS0602)
COMPONENTS LIST



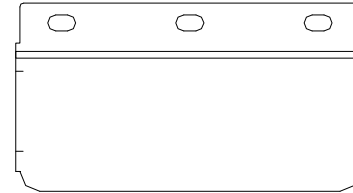
A
PN: 9520105
QTY 1



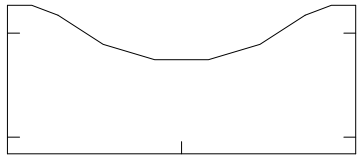
B
PN: 9520901
QTY 1



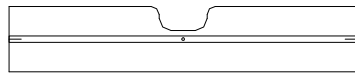
C
PN: 9520202
QTY 1



D
PN: 9520303
QTY 1



E
PN: 9520403
QTY 1



F
PN: 9520504
QTY 2



H
PN: 9520703
QTY 1



J
PN: 9520801
QTY 1

KIT
(SOME EXTRA'S INCLUDED)



F1
SUPERJOINER
PN: FS6338SW4
QTY 19



ALLEN KEY
PN: AMSW4
QTY 1