

**2400
OUTDOOR GATE**



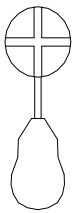
Educational Resources

"Leave Me Outdoors Range"

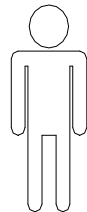
Assembly Instructions

Please read these instructions carefully before assembling the unit and where necessary refer to the enclosed Component List.

Additional Tools Required



Adults Required For Assembly



Maintenance.

Some residual dust from the manufacturing process may be apparent. This will wipe off with a damp cloth.

Examine all fasteners periodically and retighten where necessary. Care must be taken not to over tighten the fasteners.

Weathering Effects.

Like all natural timbers when subjected to the elements, under certain conditions, some surfaces may be susceptible to staining, moulds & mosses. Though unsightly these conditions will not cause rot within the material. Should staining occur it is suggested that the surface be cleaned with a mild detergent.

Fading may occur if left in direct sunlight for prolonged periods of time.

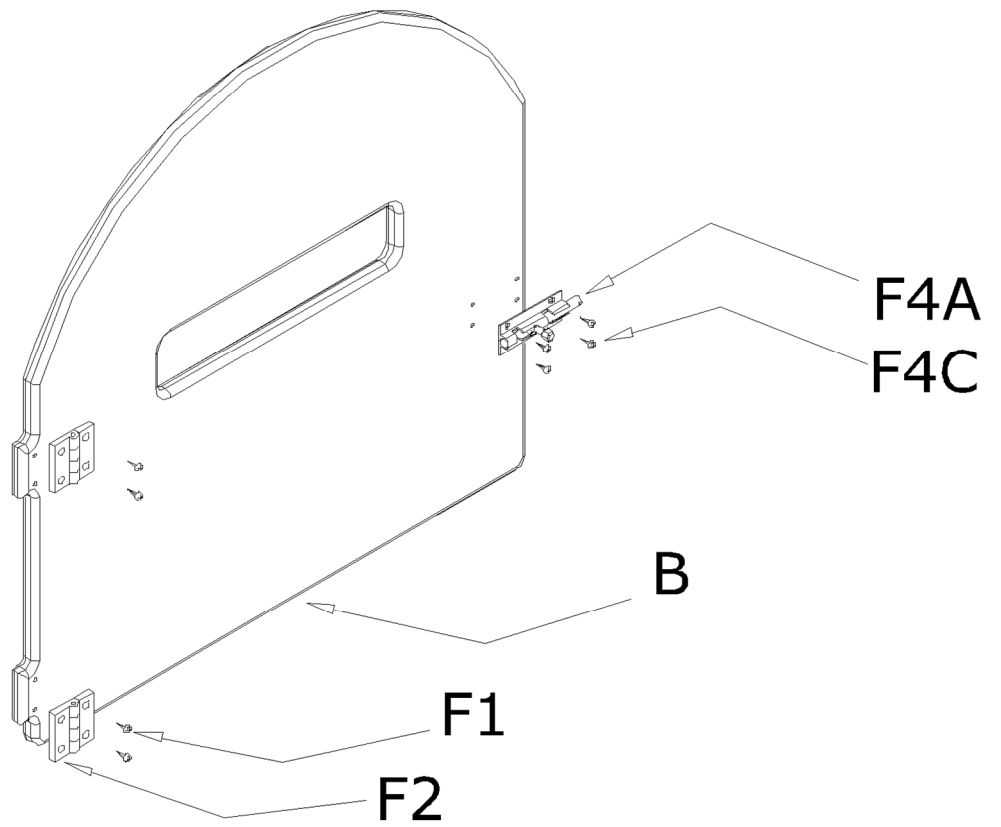
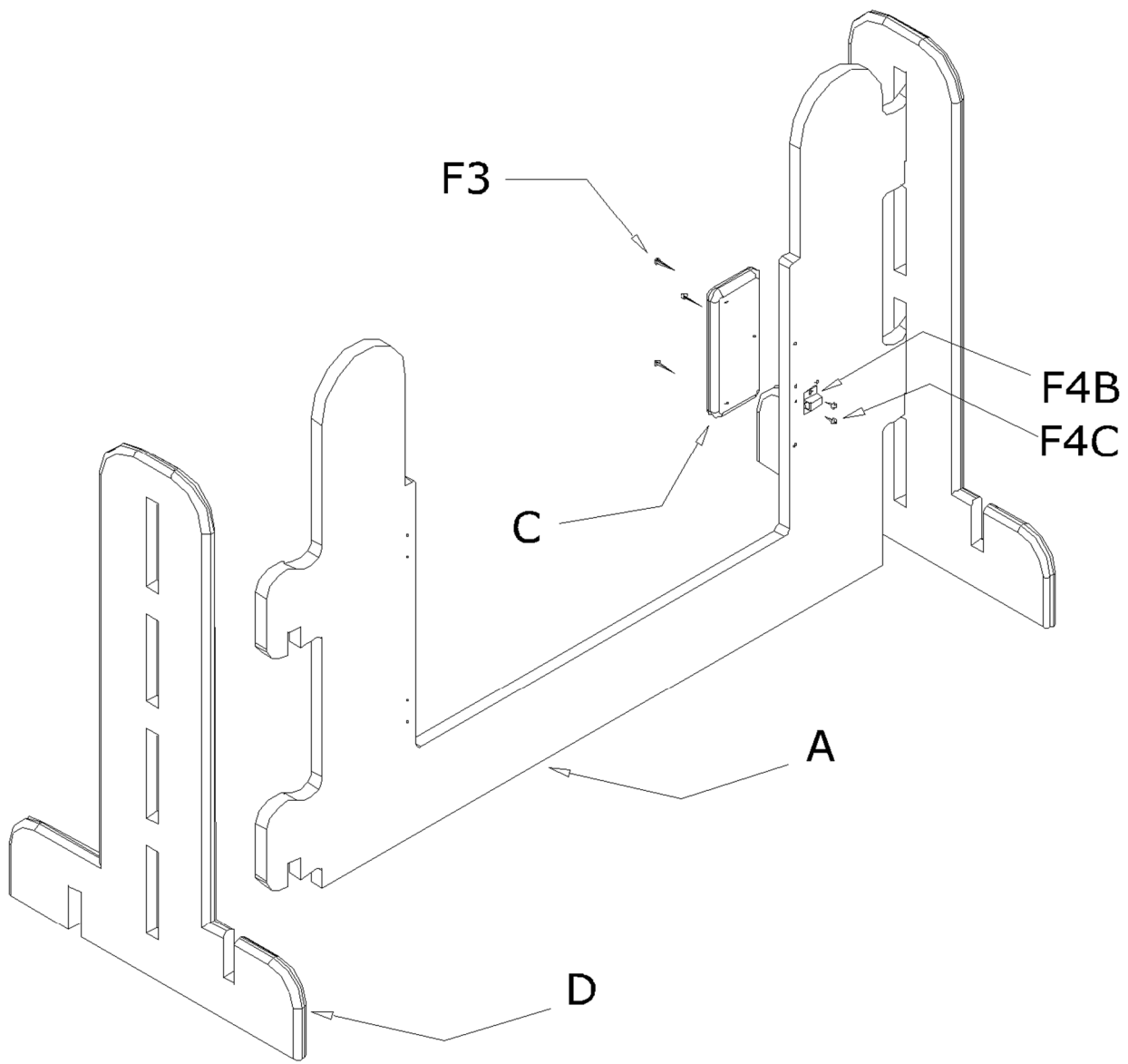
An Adult Should **ALWAYS SUPERVISE PLAY!**

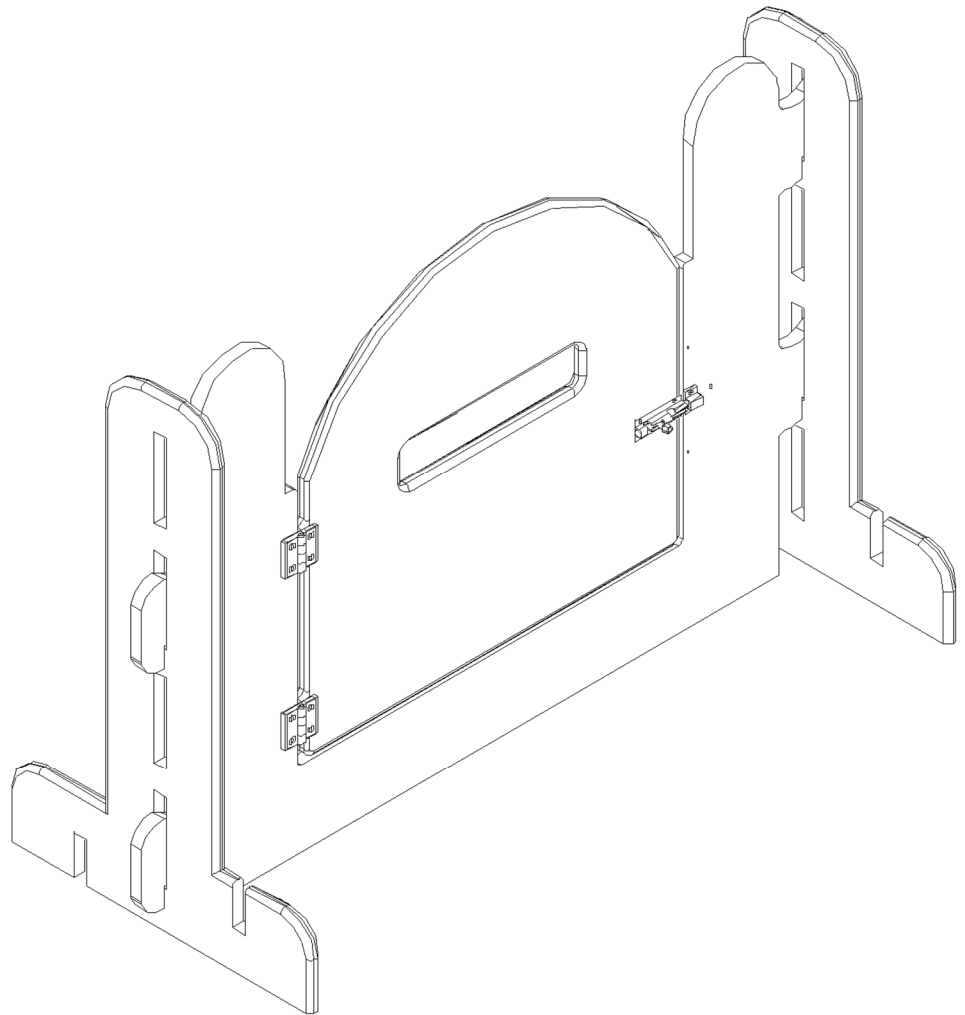
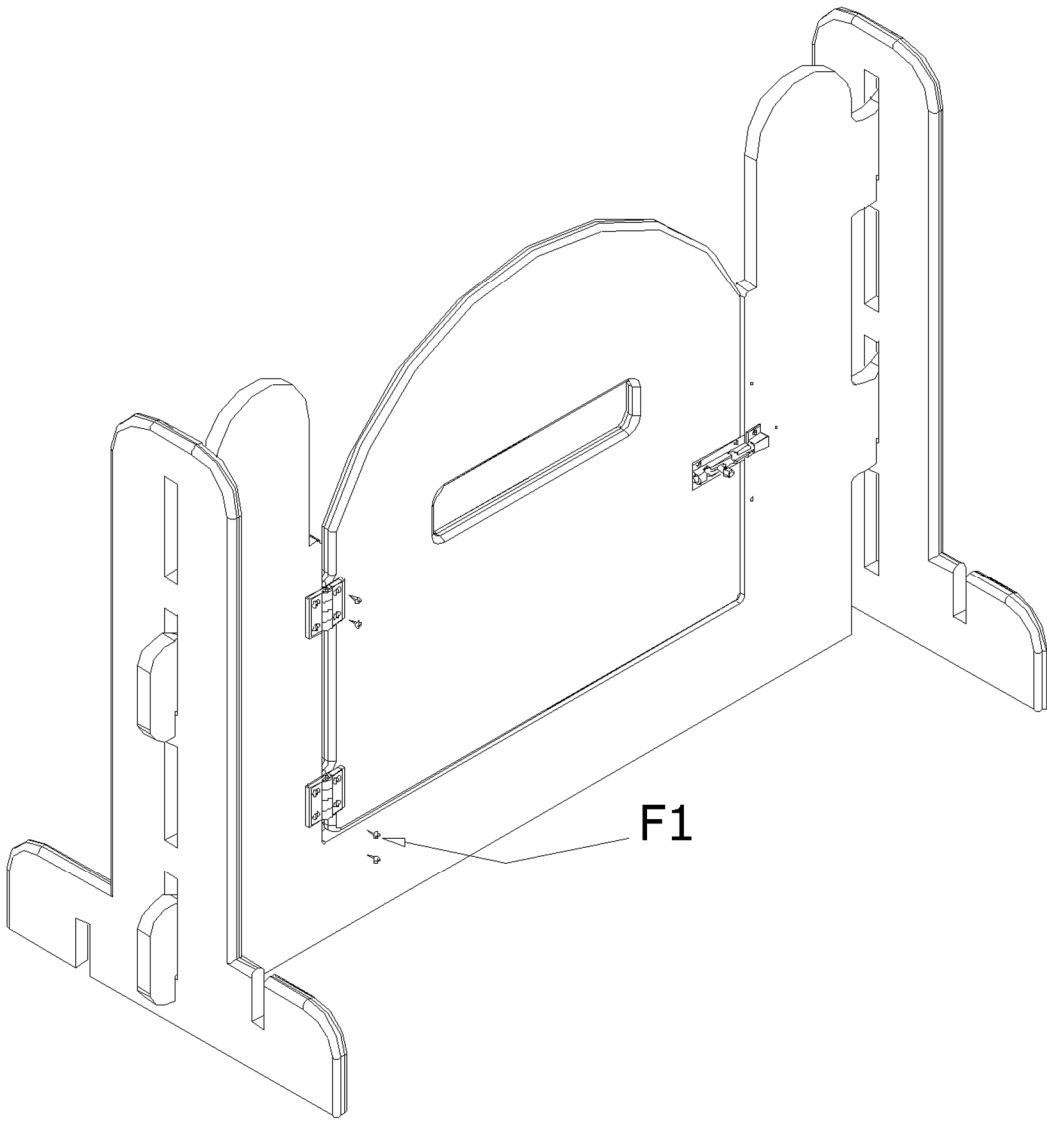
This unit is designed for use on a flat level surface.

Please retain our address for future reference



Manufactured by:
Mike Miller Associates Ltd.,
Syke Road, Wigton. Cumbria CA7 9NS
Tel: 016973 49774/45300 Fax: 016973 45511
Email: info@twoey.co.uk
Website: www.twoeytoys.com
Registered in England No: 1425839
Registered Office: The Old Brewery, Caldbeck.
Cumbria CA7 8EW





2400 - OUTDOOR GATE (CS00000) COMPONENTS LIST

