

2531
 OUTDOOR SAND & WATER UNIT
 WITH TRAYS



Assembly Instructions

Please refer to 2530 instructions

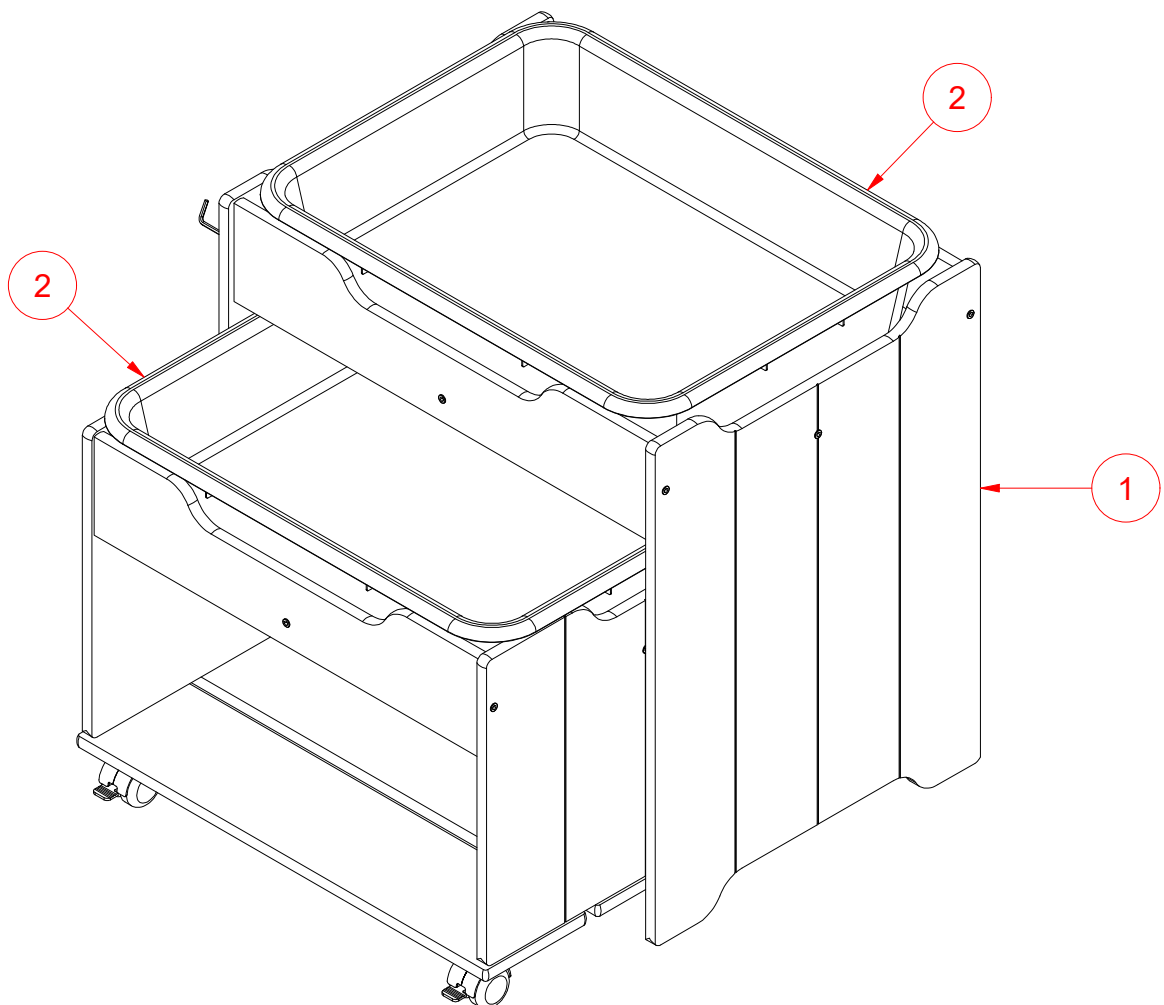
Adults Required For Assembly

Please refer to 2530 instructions

Maintenance

Please refer to 2530 instructions

ITEM	PART NUMBER	DESCRIPTION	QTY
1	2530	OUTDOOR SAND & WATER UNIT	1
2	P-APTRAYBLACK2	644x494 TRAY	2



An Adult Should **ALWAYS SUPERVISE PLAY!**
 This unit is designed for use on a flat level surface.
 Please retain our address for future reference

Manufactured by:
 Mike Miller Associates Ltd,
 Syke Road, Wigton, Cumbria CA7 9NS
 Tel: 016973 49774 / 45300
 Fax: 016973 45511
 Email: info@twoey.co.uk
 Website: www.twoeytoys.com
 Registered in England No: 1425839
 Registered Office: The Old Brewery, Caldbeck,
 Cumbria CA7 8EW